

NOTE: BEARING CONDITIONS SHALL BE OBSERVED BY THE SITE GEOTECHNICAL ENGINEER. BASE DIMENSIONS MAY BE INCREASED TO ADDRESS DEFICIENT SOIL BEARING CONDITIONS.

\*FOR WALL HEIGHTS OF 1.8m OR LESS, BASE THICKNESS MAY BE REDUCED TO 150mm.

## 24SF WALL BASE

NOT TO SCALE

### DISCLAIMER:

These typical details are preliminary and conceptual in nature. They are provided for general information purposes only. Anyone making use of these details and related information does so at their own risk and assumes all liability for such use. Site specific design should be performed by a licensed Professional Engineer based on actual site conditions, materials, and local practices.

Stone Strong LLC retains all common law, statutory, and other reserved rights to these drawings including the copyright. Limited license is granted to copy, reproduce, or modify the details to prepare construction drawings for Stone Strong retaining walls. Stone Strong LLC makes no warranties, either expressed or implied, of merchantability or fitness for any particular purpose, and accepts no responsibility for the accuracy, suitability, or completeness of information contained herein.

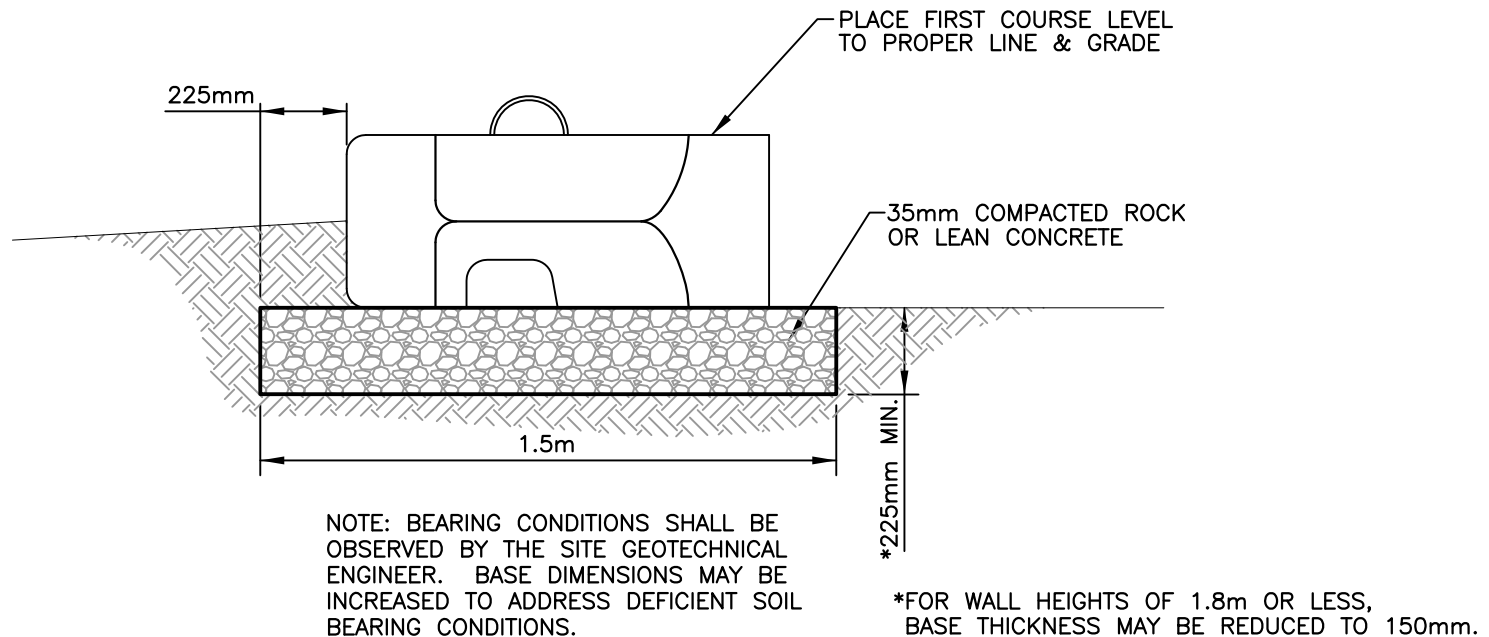


www.stonestrong.com

PROJECT

TYPICAL DETAILS  
STONE STRONG SYSTEMS

DATE: 2/10/16 | FILE: 01\_24sf.Base



## 6SF WALL BASE

NOT TO SCALE

### DISCLAIMER:

These typical details are preliminary and conceptual in nature. They are provided for general information purposes only. Anyone making use of these details and related information does so at their own risk and assumes all liability for such use. Site specific design should be performed by a licensed Professional Engineer based on actual site conditions, materials, and local practices.

Stone Strong LLC retains all common law, statutory, and other reserved rights to these drawings including the copyright. Limited license is granted to copy, reproduce, or modify the details to prepare construction drawings for Stone Strong retaining walls. Stone Strong LLC makes no warranties, either expressed or implied, of merchantability or fitness for any particular purpose, and accepts no responsibility for the accuracy, suitability, or completeness of information contained herein.

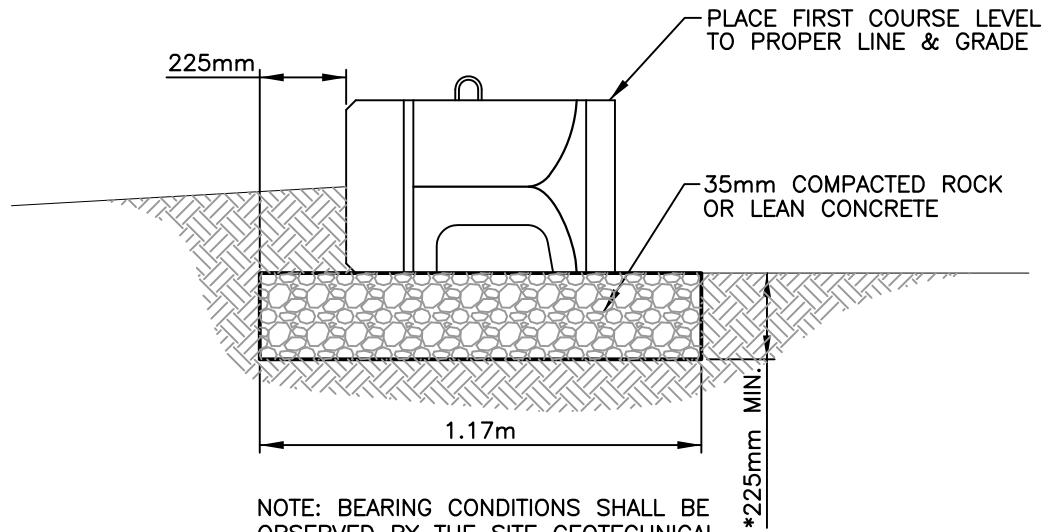


[www.stonestrong.com](http://www.stonestrong.com)

PROJECT

TYPICAL DETAILS  
STONE STRONG SYSTEMS

DATE: 2/10/16 | FILE: 02\_6sf.Base



NOTE: BEARING CONDITIONS SHALL BE OBSERVED BY THE SITE GEOTECHNICAL ENGINEER. BASE DIMENSIONS MAY BE INCREASED TO ADDRESS DEFICIENT SOIL BEARING CONDITIONS.

\*FOR WALL HEIGHTS OF 1.8m OR LESS, BASE THICKNESS MAY BE REDUCED TO 150mm.

## 6-28 WALL BASE

NOT TO SCALE

CHECK ON AVAILABILITY OF ALL UNITS w/ LOCAL PRODUCER/ DEALER. SOME UNITS MAY HAVE LIMITED AVAILABILITY.

**DISCLAIMER:**

These typical details are preliminary and conceptual in nature. They are provided for general information purposes only. Anyone making use of these details and related information does so at their own risk and assumes all liability for such use. Site specific design should be performed by a licensed Professional Engineer based on actual site conditions, materials, and local practices.

Stone Strong LLC retains all common law, statutory, and other reserved rights to these drawings including the copyright. Limited license is granted to copy, reproduce, or modify the details to prepare construction drawings for Stone Strong retaining walls. Stone Strong LLC makes no warranties, either expressed or implied, of merchantability or fitness for any particular purpose, and accepts no responsibility for the accuracy, suitability, or completeness of information contained herein.



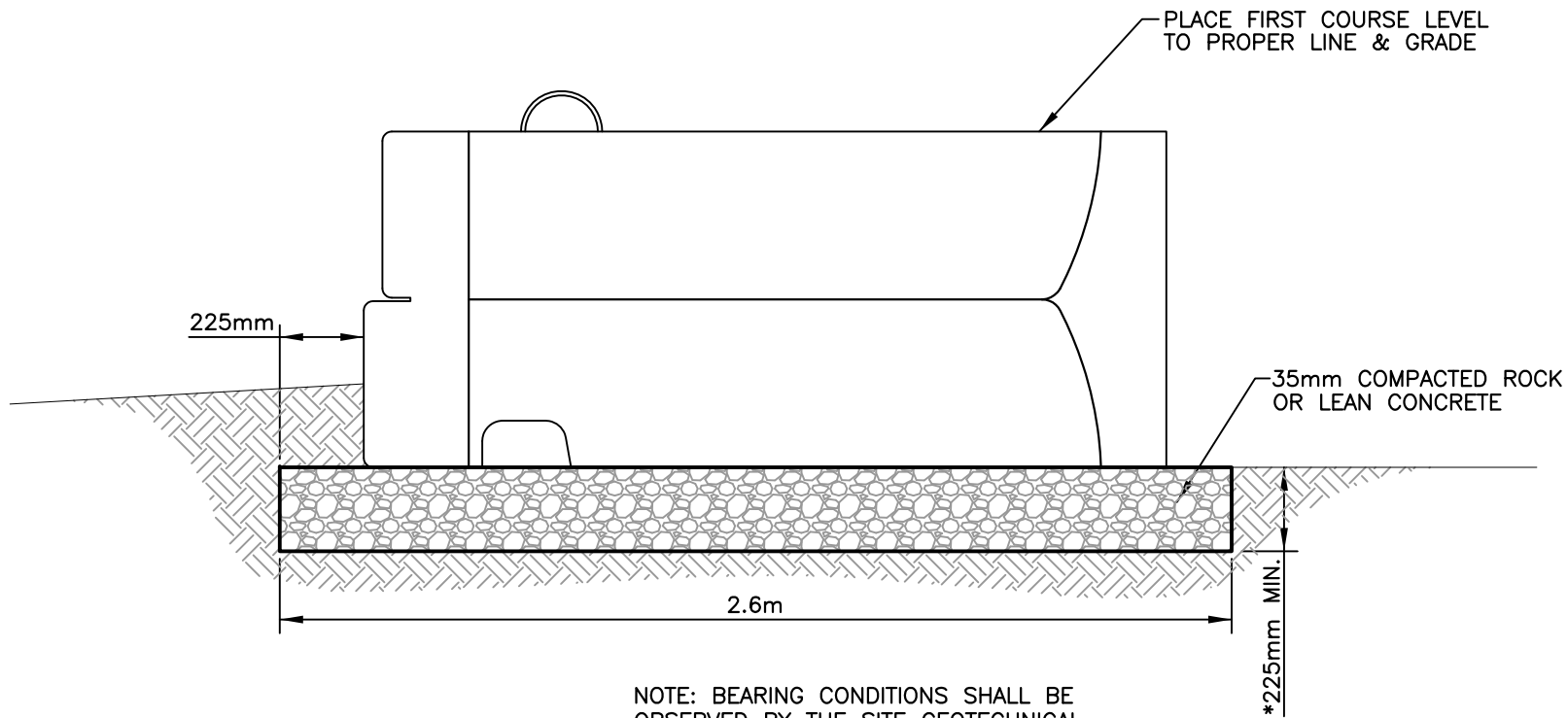
www.stonestrong.com

PROJECT

TYPICAL DETAILS  
STONE STRONG SYSTEMS

DATE: 2/10/16

FILE: 03\_6-28.Base



NOTE: BEARING CONDITIONS SHALL BE OBSERVED BY THE SITE GEOTECHNICAL ENGINEER. BASE DIMENSIONS MAY BE INCREASED TO ADDRESS DEFICIENT SOIL BEARING CONDITIONS.

\*FOR WALL HEIGHTS OF 1.8m OR LESS, BASE THICKNESS MAY BE REDUCED TO 150mm.

## 24-86 WALL BASE

NOT TO SCALE

CHECK ON AVAILABILITY OF ALL UNITS w/ LOCAL PRODUCER/ DEALER. SOME UNITS MAY HAVE LIMITED AVAILABILITY.

**DISCLAIMER:**

These typical details are preliminary and conceptual in nature. They are provided for general information purposes only. Anyone making use of these details and related information does so at their own risk and assumes all liability for such use. Site specific design should be performed by a licensed Professional Engineer based on actual site conditions, materials, and local practices.

Stone Strong LLC retains all common law, statutory, and other reserved rights to these drawings including the copyright. Limited license is granted to copy, reproduce, or modify the details to prepare construction drawings for Stone Strong retaining walls. Stone Strong LLC makes no warranties, either expressed or implied, of merchantability or fitness for any particular purpose, and accepts no responsibility for the accuracy, suitability, or completeness of information contained herein.



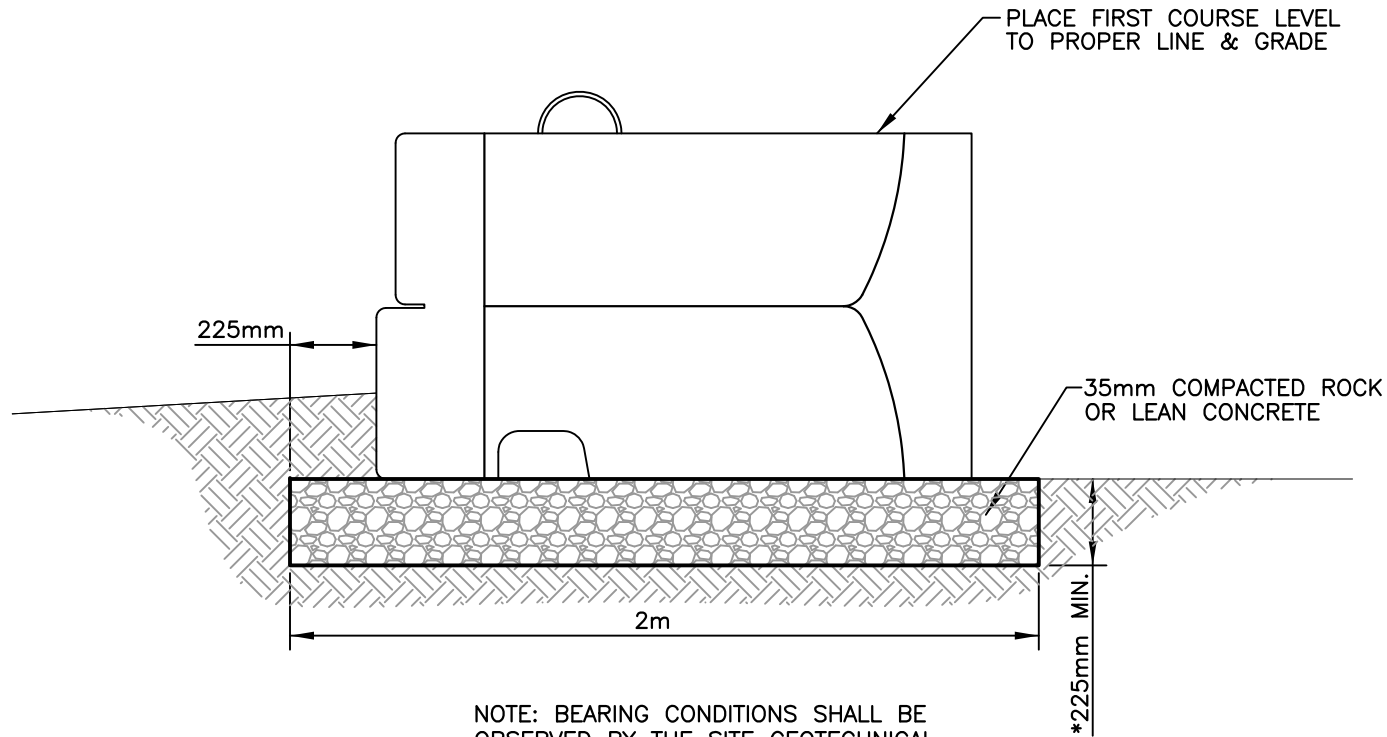
www.stonestrong.com

PROJECT

TYPICAL DETAILS  
STONE STRONG SYSTEMS

DATE: 2/10/16

FILE: 04\_24-86.Base



NOTE: BEARING CONDITIONS SHALL BE OBSERVED BY THE SITE GEOTECHNICAL ENGINEER. BASE DIMENSIONS MAY BE INCREASED TO ADDRESS DEFICIENT SOIL BEARING CONDITIONS.

\*FOR WALL HEIGHTS OF 1.8m OR LESS, BASE THICKNESS MAY BE REDUCED TO 150mm.

## 24-62 WALL BASE

NOT TO SCALE

CHECK ON AVAILABILITY OF ALL UNITS w/ LOCAL PRODUCER/ DEALER. SOME UNITS MAY HAVE LIMITED AVAILABILITY.

**DISCLAIMER:**

These typical details are preliminary and conceptual in nature. They are provided for general information purposes only. Anyone making use of these details and related information does so at their own risk and assumes all liability for such use. Site specific design should be performed by a licensed Professional Engineer based on actual site conditions, materials, and local practices.

Stone Strong LLC retains all common law, statutory, and other reserved rights to these drawings including the copyright. Limited license is granted to copy, reproduce, or modify the details to prepare construction drawings for Stone Strong retaining walls. Stone Strong LLC makes no warranties, either expressed or implied, of merchantability or fitness for any particular purpose, and accepts no responsibility for the accuracy, suitability, or completeness of information contained herein.



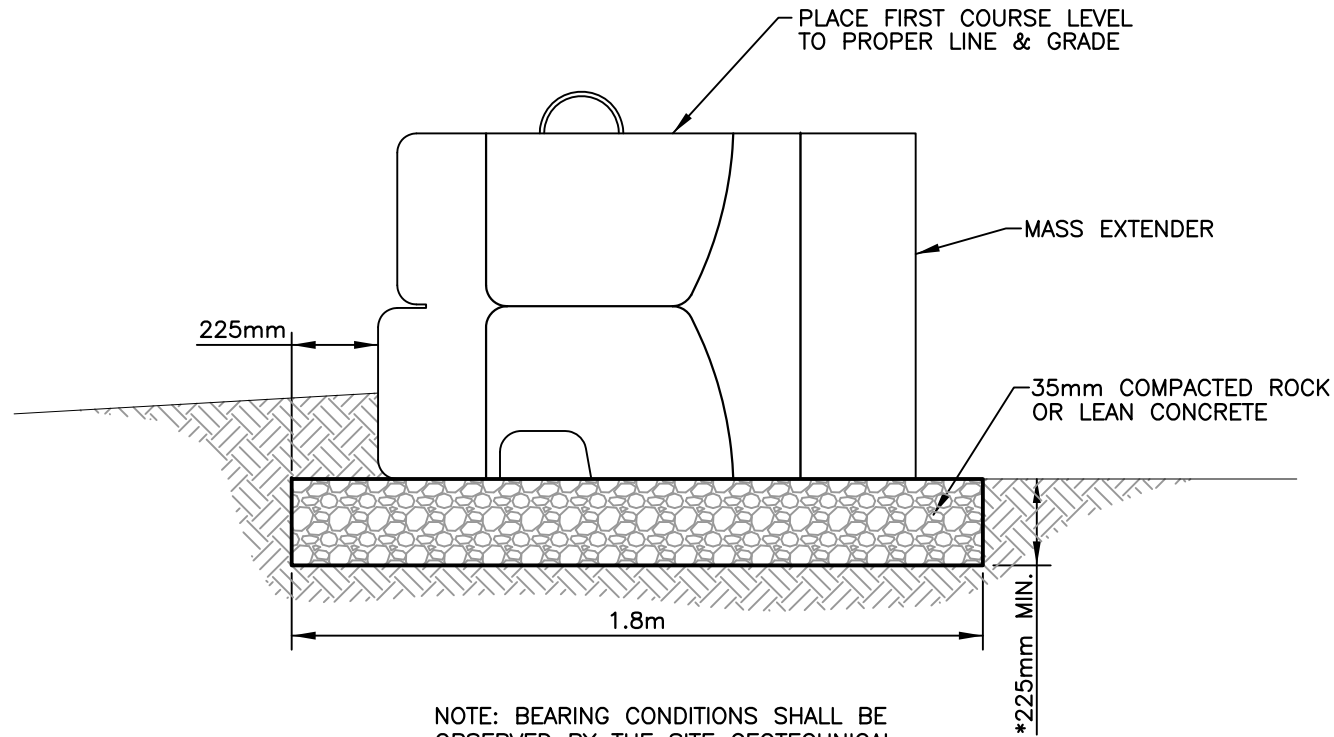
[www.stonestrong.com](http://www.stonestrong.com)

PROJECT

TYPICAL DETAILS  
STONE STRONG SYSTEMS

DATE: 2/10/16

FILE: 05\_24-62.Base



NOTE: BEARING CONDITIONS SHALL BE OBSERVED BY THE SITE GEOTECHNICAL ENGINEER. BASE DIMENSIONS MAY BE INCREASED TO ADDRESS DEFICIENT SOIL BEARING CONDITIONS.

\*FOR WALL HEIGHTS OF 1.8m OR LESS, BASE THICKNESS MAY BE REDUCED TO 150mm.

## 24SF w/MASS EXTENDER WALL BASE

NOT TO SCALE

CHECK ON AVAILABILITY OF ALL UNITS w/ LOCAL PRODUCER/ DEALER. SOME UNITS MAY HAVE LIMITED AVAILABILITY.

### DISCLAIMER:

These typical details are preliminary and conceptual in nature. They are provided for general information purposes only. Anyone making use of these details and related information does so at their own risk and assumes all liability for such use. Site specific design should be performed by a licensed Professional Engineer based on actual site conditions, materials, and local practices.

Stone Strong LLC retains all common law, statutory, and other reserved rights to these drawings including the copyright. Limited license is granted to copy, reproduce, or modify the details to prepare construction drawings for Stone Strong retaining walls. Stone Strong LLC makes no warranties, either expressed or implied, of merchantability or fitness for any particular purpose, and accepts no responsibility for the accuracy, suitability, or completeness of information contained herein.



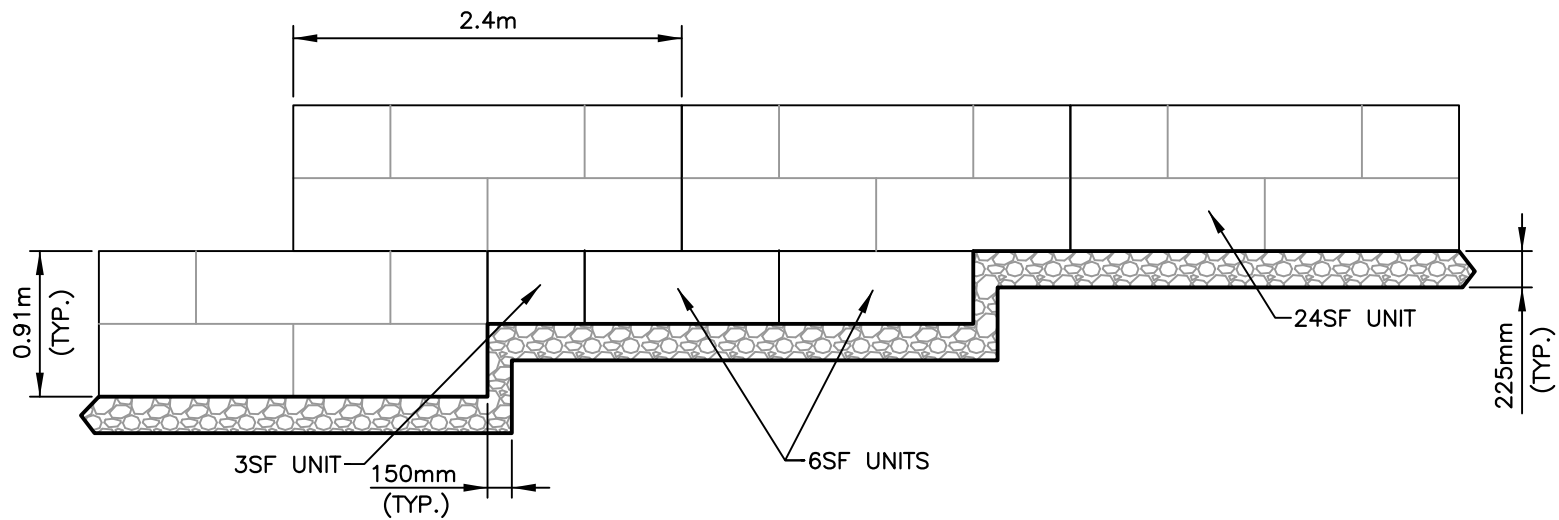
www.stonestrong.com

PROJECT

TYPICAL DETAILS  
STONE STRONG SYSTEMS

DATE: 2/10/16

FILE: 06\_24sf.Base.MassExtender



## WALL BASE STEP

NOT TO SCALE

### DISCLAIMER:

These typical details are preliminary and conceptual in nature. They are provided for general information purposes only. Anyone making use of these details and related information does so at their own risk and assumes all liability for such use. Site specific design should be performed by a licensed Professional Engineer based on actual site conditions, materials, and local practices.

Stone Strong LLC retains all common law, statutory, and other reserved rights to these drawings including the copyright. Limited license is granted to copy, reproduce, or modify the details to prepare construction drawings for Stone Strong retaining walls. Stone Strong LLC makes no warranties, either expressed or implied, of merchantability or fitness for any particular purpose, and accepts no responsibility for the accuracy, suitability, or completeness of information contained herein.



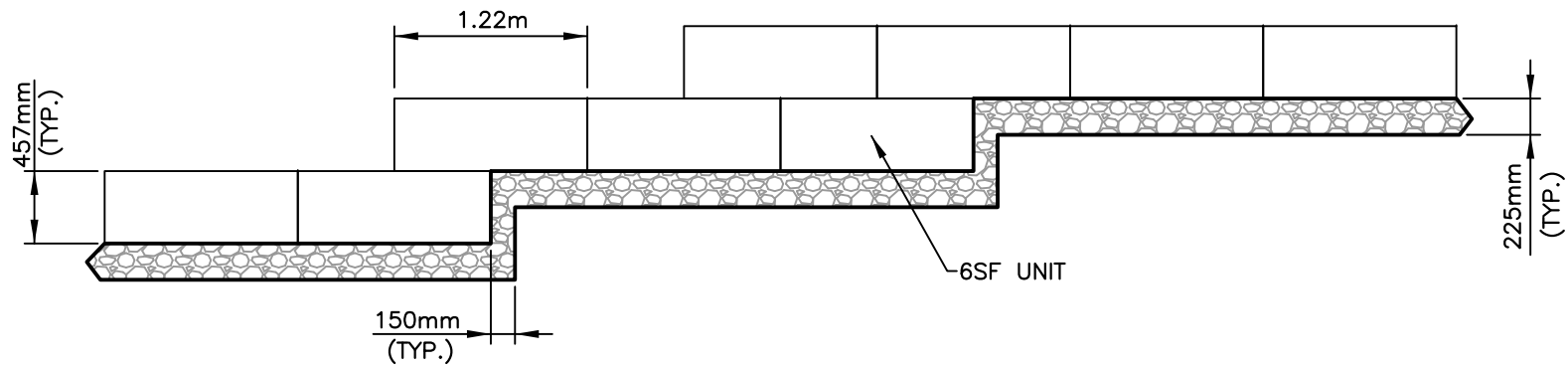
[www.stonestrong.com](http://www.stonestrong.com)

PROJECT

TYPICAL DETAILS  
STONE STRONG SYSTEMS

DATE: 2/10/16

FILE: 07\_24sf.BaseStep



## 6SF WALL BASE STEP

NOT TO SCALE

### DISCLAIMER:

These typical details are preliminary and conceptual in nature. They are provided for general information purposes only. Anyone making use of these details and related information does so at their own risk and assumes all liability for such use. Site specific design should be performed by a licensed Professional Engineer based on actual site conditions, materials, and local practices.

Stone Strong LLC retains all common law, statutory, and other reserved rights to these drawings including the copyright. Limited license is granted to copy, reproduce, or modify the details to prepare construction drawings for Stone Strong retaining walls. Stone Strong LLC makes no warranties, either expressed or implied, of merchantability or fitness for any particular purpose, and accepts no responsibility for the accuracy, suitability, or completeness of information contained herein.



[www.stonestrong.com](http://www.stonestrong.com)

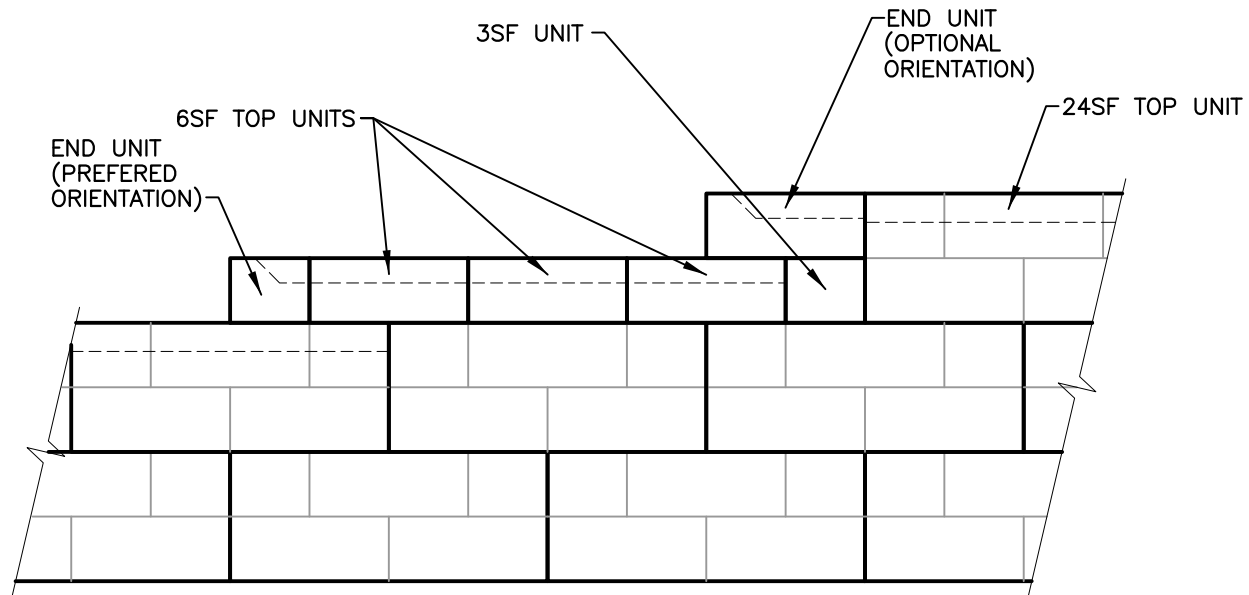
PROJECT

TYPICAL DETAILS  
STONE STRONG SYSTEMS

DATE: 2/10/16

FILE: 08\_6sf.BaseStep





## TOP OF WALL STEPS

NOT TO SCALE

### DISCLAIMER:

These typical details are preliminary and conceptual in nature. They are provided for general information purposes only. Anyone making use of these details and related information does so at their own risk and assumes all liability for such use. Site specific design should be performed by a licensed Professional Engineer based on actual site conditions, materials, and local practices.

Stone Strong LLC retains all common law, statutory, and other reserved rights to these drawings including the copyright. Limited license is granted to copy, reproduce, or modify the details to prepare construction drawings for Stone Strong retaining walls. Stone Strong LLC makes no warranties, either expressed or implied, of merchantability or fitness for any particular purpose, and accepts no responsibility for the accuracy, suitability, or completeness of information contained herein.



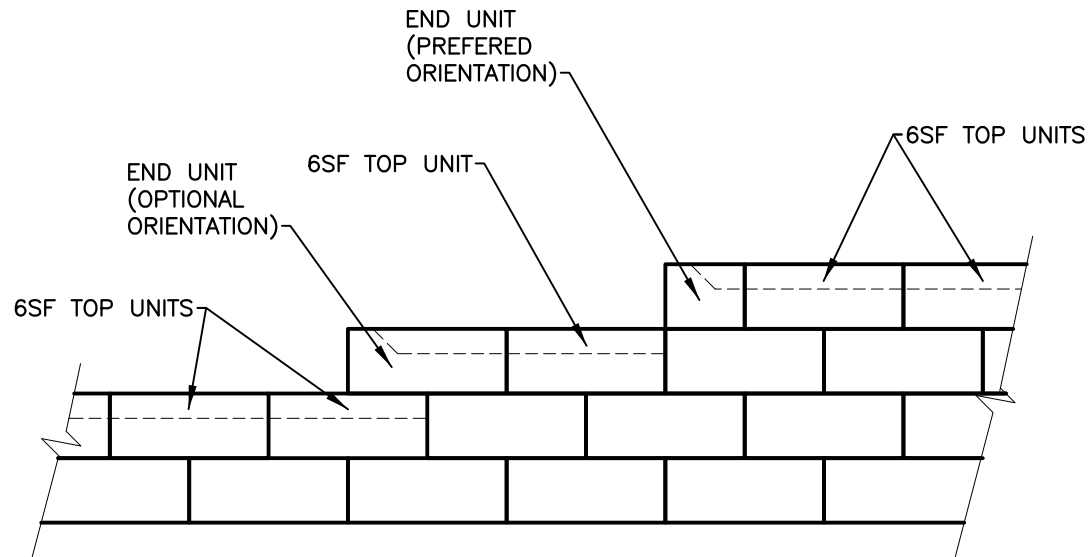
[www.stonestrong.com](http://www.stonestrong.com)

PROJECT

TYPICAL DETAILS  
STONE STRONG SYSTEMS

DATE: 2/10/16

FILE: 09\_24sf.TopStep



## TOP OF WALL STEPS

NOT TO SCALE

**DISCLAIMER:**

These typical details are preliminary and conceptual in nature. They are provided for general information purposes only. Anyone making use of these details and related information does so at their own risk and assumes all liability for such use. Site specific design should be performed by a licensed Professional Engineer based on actual site conditions, materials, and local practices.

Stone Strong LLC retains all common law, statutory, and other reserved rights to these drawings including the copyright. Limited license is granted to copy, reproduce, or modify the details to prepare construction drawings for Stone Strong retaining walls. Stone Strong LLC makes no warranties, either expressed or implied, of merchantability or fitness for any particular purpose, and accepts no responsibility for the accuracy, suitability, or completeness of information contained herein.



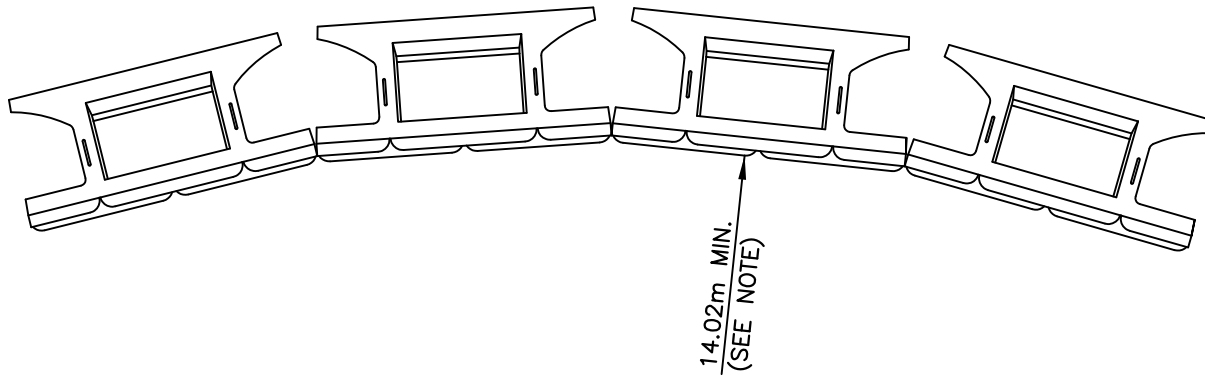
[www.stonestrong.com](http://www.stonestrong.com)

PROJECT

TYPICAL DETAILS  
STONE STRONG SYSTEMS

DATE: 2/10/16

FILE: 10\_6sf.TopStep



**NOTE:**  
 MINIMUM RADIUS OCCURS AT LOWEST COURSE.  
 RADIUS INCREASES 102mm PER COURSE ABOVE,  
 AS SHOWN ON TABLE.

Minimum Concave Radius		
Wall Height (m)	Total # of Courses	Reqd. Radius at Top Course
1.83	2	14.12m
2.74	3	14.22m
3.66	4	14.33m
4.57	5	14.43m
5.49	6	14.53m
6.40	7	14.63m
7.32	8	14.73m

## MINIMUM CONCAVE RADIUS—24SF UNITS

NOT TO SCALE

**DISCLAIMER:**

These typical details are preliminary and conceptual in nature. They are provided for general information purposes only. Anyone making use of these details and related information does so at their own risk and assumes all liability for such use. Site specific design should be performed by a licensed Professional Engineer based on actual site conditions, materials, and local practices.

Stone Strong LLC retains all common law, statutory, and other reserved rights to these drawings including the copyright. Limited license is granted to copy, reproduce, or modify the details to prepare construction drawings for Stone Strong retaining walls. Stone Strong LLC makes no warranties, either expressed or implied, of merchantability or fitness for any particular purpose, and accepts no responsibility for the accuracy, suitability, or completeness of information contained herein.

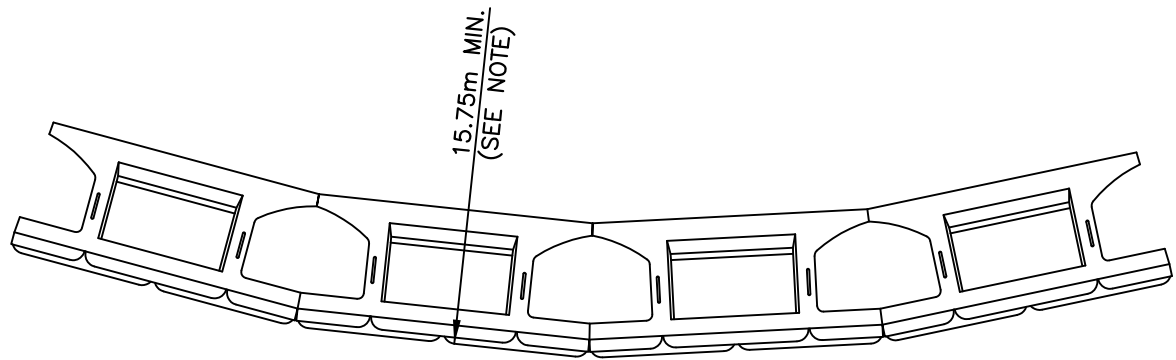


[www.stonestrong.com](http://www.stonestrong.com)

PROJECT

TYPICAL DETAILS  
 STONE STRONG SYSTEMS

DATE: 2/10/16 | FILE: 11\_24sf.RadMin.Concave



**NOTE:**  
 MINIMUM RADIUS OCCURS AT TOP COURSE.  
 REQUIRED RADIUS INCREASES 102mm PER  
 COURSE BELOW, AS SHOWN ON TABLE.

Minimum Convex Radius		
Wall Height (m)	Total # of Courses	Reqd. Radius at First Course
1.83	2	15.85m
2.74	3	15.95m
3.66	4	16.05m
4.57	5	16.15m
5.49	6	16.26m
6.40	7	16.36m
7.32	8	16.46m

## MINIMUM CONVEX RADIUS—24SF UNITS

NOT TO SCALE

**DISCLAIMER:**

These typical details are preliminary and conceptual in nature. They are provided for general information purposes only. Anyone making use of these details and related information does so at their own risk and assumes all liability for such use. Site specific design should be performed by a licensed Professional Engineer based on actual site conditions, materials, and local practices.

Stone Strong LLC retains all common law, statutory, and other reserved rights to these drawings including the copyright. Limited license is granted to copy, reproduce, or modify the details to prepare construction drawings for Stone Strong retaining walls. Stone Strong LLC makes no warranties, either expressed or implied, of merchantability or fitness for any particular purpose, and accepts no responsibility for the accuracy, suitability, or completeness of information contained herein.

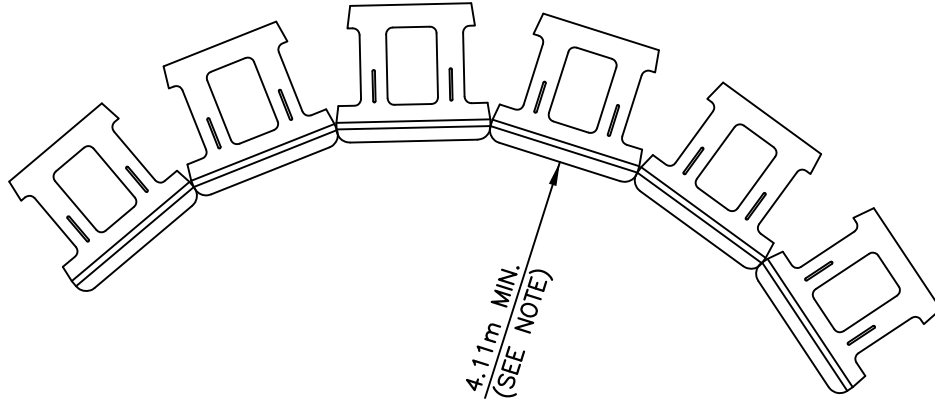


[www.stonestrong.com](http://www.stonestrong.com)

PROJECT

TYPICAL DETAILS  
 STONE STRONG SYSTEMS

DATE: 2/10/16 FILE: 12\_24sf.RadMin.Convex



Minimum Concave Radius		
Wall Height (m)	Total # of Courses	Reqd. Radius at First Course
0.91	2	4.17m
1.37	3	4.22m
1.83	4	4.27m
2.29	5	4.32m
2.74	6	4.37m
3.20	7	4.42m
3.66	8	4.47m

**NOTE:**  
 MINIMUM RADIUS OCCURS AT LOWEST COURSE.  
 RADIUS INCREASES 51mm PER COURSE  
 ABOVE, AS SHOWN ON TABLE.

## MINIMUM CONCAVE RADIUS—6SF UNITS

NOT TO SCALE

**DISCLAIMER:**

These typical details are preliminary and conceptual in nature. They are provided for general information purposes only. Anyone making use of these details and related information does so at their own risk and assumes all liability for such use. Site specific design should be performed by a licensed Professional Engineer based on actual site conditions, materials, and local practices.

Stone Strong LLC retains all common law, statutory, and other reserved rights to these drawings including the copyright. Limited license is granted to copy, reproduce, or modify the details to prepare construction drawings for Stone Strong retaining walls. Stone Strong LLC makes no warranties, either expressed or implied, of merchantability or fitness for any particular purpose, and accepts no responsibility for the accuracy, suitability, or completeness of information contained herein.

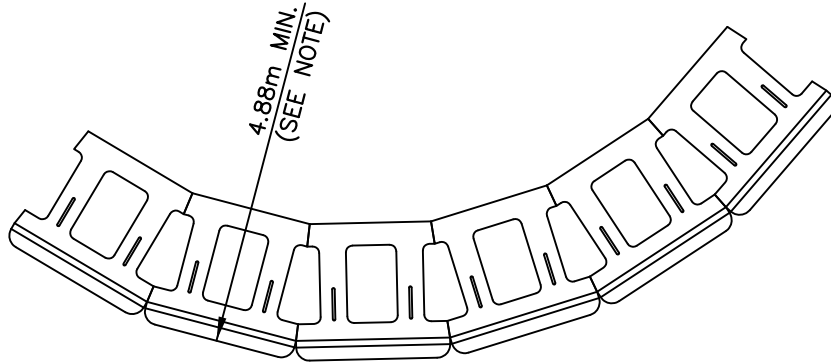


[www.stonestrong.com](http://www.stonestrong.com)

PROJECT

TYPICAL DETAILS  
 STONE STRONG SYSTEMS

DATE: 2/10/16 | FILE: 13\_6sf.RadMin.Concave



Minimum Convex Radius		
Wall Height (m)	Total # of Courses	Reqd. Radius at First Course
0.91	2	4.93m
1.37	3	4.98m
1.83	4	5.03m
2.29	5	5.08m
2.74	6	5.13m
3.20	7	5.18m
3.66	8	5.23m

**NOTE:**

NOTE: MINIMUM RADIUS OCCURS AT TOP COURSE. REQUIRED RADIUS INCREASES 51mm PER COURSE BELOW, AS SHOWN ON TABLE.

## MINIMUM CONVEX RADIUS—6SF UNITS

NOT TO SCALE

**DISCLAIMER:**

These typical details are preliminary and conceptual in nature. They are provided for general information purposes only. Anyone making use of these details and related information does so at their own risk and assumes all liability for such use. Site specific design should be performed by a licensed Professional Engineer based on actual site conditions, materials, and local practices.

Stone Strong LLC retains all common law, statutory, and other reserved rights to these drawings including the copyright. Limited license is granted to copy, reproduce, or modify the details to prepare construction drawings for Stone Strong retaining walls. Stone Strong LLC makes no warranties, either expressed or implied, of merchantability or fitness for any particular purpose, and accepts no responsibility for the accuracy, suitability, or completeness of information contained herein.

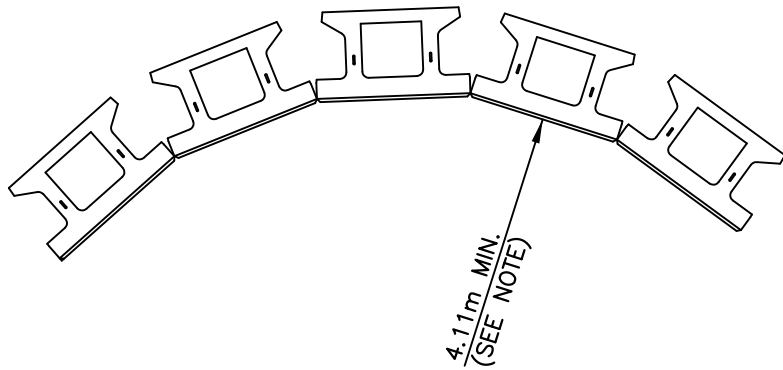


[www.stonestrong.com](http://www.stonestrong.com)

PROJECT

TYPICAL DETAILS  
STONE STRONG SYSTEMS

DATE: 2/10/16 | FILE: 14\_6sf.RadMin.Convex



Minimum Concave Radius		
Wall Height (m)	Total # of Courses	Reqd. Radius at Top Course
0.91	2	4.16m
1.37	3	4.21m
1.83	4	4.26m
2.29	5	4.31m
2.74	6	4.37m
3.20	7	4.42m
3.66	8	4.47m

**NOTE:**  
 MINIMUM RADIUS OCCURS AT LOWEST COURSE.  
 RADIUS INCREASES 51mm PER COURSE  
 ABOVE, AS SHOWN ON TABLE.

## MINIMUM CONCAVE RADIUS—6—28 UNITS

NOT TO SCALE

CHECK ON AVAILABILITY OF ALL UNITS w/ LOCAL PRODUCER/  
 DEALER. SOME UNITS MAY HAVE LIMITED AVAILABILITY.

**DISCLAIMER:**

These typical details are preliminary and conceptual in nature. They are provided for general information purposes only. Anyone making use of these details and related information does so at their own risk and assumes all liability for such use. Site specific design should be performed by a licensed Professional Engineer based on actual site conditions, materials, and local practices.

Stone Strong LLC retains all common law, statutory, and other reserved rights to these drawings including the copyright. Limited license is granted to copy, reproduce, or modify the details to prepare construction drawings for Stone Strong retaining walls. Stone Strong LLC makes no warranties, either expressed or implied, of merchantability or fitness for any particular purpose, and accepts no responsibility for the accuracy, suitability, or completeness of information contained herein.

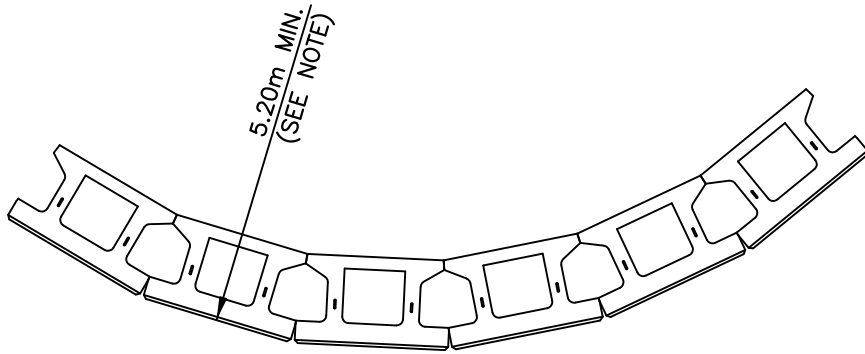


www.stonestrong.com

PROJECT

TYPICAL DETAILS  
 STONE STRONG SYSTEMS

DATE: 2/10/16 | FILE: 15\_6-28.RadMin.Concave



**NOTE:**  
 NOTE: MINIMUM RADIUS OCCURS AT TOP COURSE.  
 REQUIRED RADIUS INCREASES 51mm PER COURSE  
 BELOW, AS SHOWN ON TABLE.

Minimum Convex Radius		
Wall Height (m)	Total # of Courses	Reqd. Radius at Top Course
0.91	2	4.89m
1.37	3	4.95m
1.83	4	5.00m
2.29	5	5.05m
2.74	6	5.10m
3.20	7	5.15m
3.66	8	5.20m

## MINIMUM CONVEX RADIUS-6-28 UNITS

NOT TO SCALE

CHECK ON AVAILABILITY OF ALL UNITS w/ LOCAL PRODUCER/DEALER. SOME UNITS MAY HAVE LIMITED AVAILABILITY.

**DISCLAIMER:**

These typical details are preliminary and conceptual in nature. They are provided for general information purposes only. Anyone making use of these details and related information does so at their own risk and assumes all liability for such use. Site specific design should be performed by a licensed Professional Engineer based on actual site conditions, materials, and local practices.

Stone Strong LLC retains all common law, statutory, and other reserved rights to these drawings including the copyright. Limited license is granted to copy, reproduce, or modify the details to prepare construction drawings for Stone Strong retaining walls. Stone Strong LLC makes no warranties, either expressed or implied, of merchantability or fitness for any particular purpose, and accepts no responsibility for the accuracy, suitability, or completeness of information contained herein.



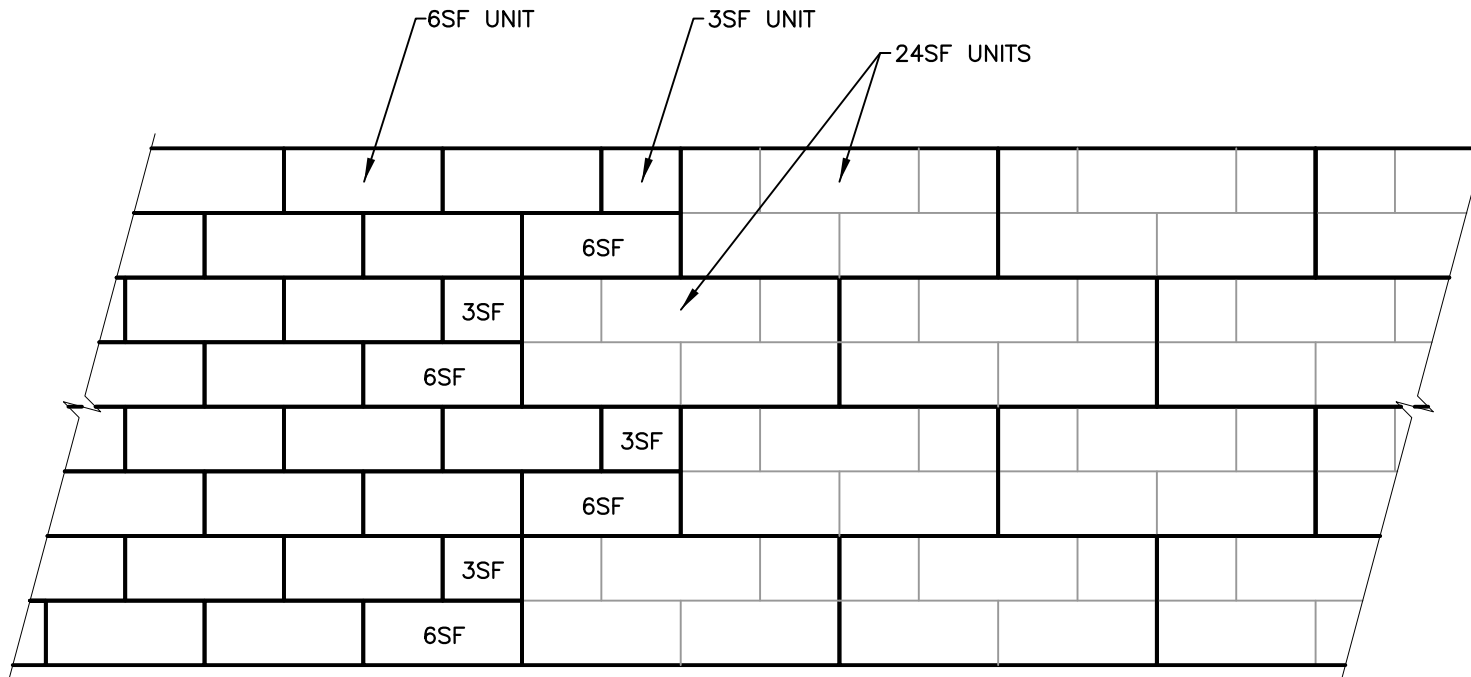
www.stonestrong.com

PROJECT

TYPICAL DETAILS  
 STONE STRONG SYSTEMS

DATE: 2/10/16 | FILE: 16\_6-28.RadMin.Convex





TRANSITION 24SF TO 6SF  
NOT TO SCALE

**DISCLAIMER:**

These typical details are preliminary and conceptual in nature. They are provided for general information purposes only. Anyone making use of these details and related information does so at their own risk and assumes all liability for such use. Site specific design should be performed by a licensed Professional Engineer based on actual site conditions, materials, and local practices.

Stone Strong LLC retains all common law, statutory, and other reserved rights to these drawings including the copyright. Limited license is granted to copy, reproduce, or modify the details to prepare construction drawings for Stone Strong retaining walls. Stone Strong LLC makes no warranties, either expressed or implied, of merchantability or fitness for any particular purpose, and accepts no responsibility for the accuracy, suitability, or completeness of information contained herein.



[www.stonestrong.com](http://www.stonestrong.com)

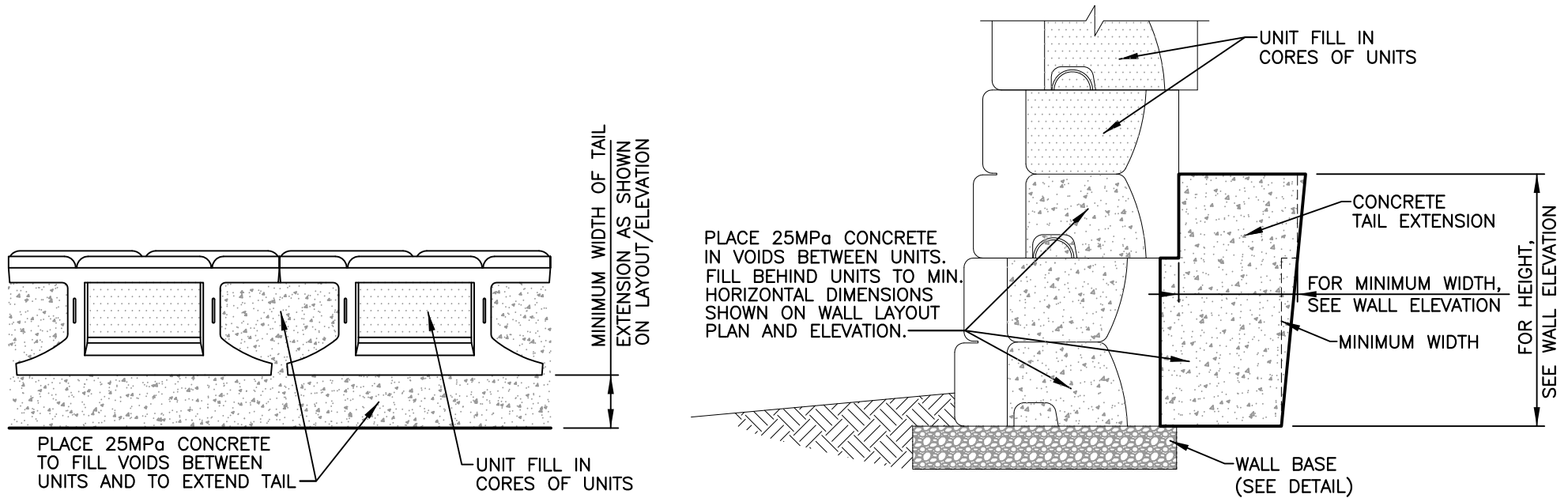
PROJECT

TYPICAL DETAILS  
STONE STRONG SYSTEMS

DATE: 2/10/16 | FILE: 17\_24sf-6sf.Transition

**NOTE:**

ON CONVEX CURVES, PROVIDE REINFORCEMENT TO ATTACH EXTENSION DUE TO REDUCED OPENING WIDTH BETWEEN TAILS.



## 24SF CONCRETE TAIL EXTENSION DETAIL (CAST-IN-PLACE)

NOT TO SCALE

**DISCLAIMER:**

These typical details are preliminary and conceptual in nature. They are provided for general information purposes only. Anyone making use of these details and related information does so at their own risk and assumes all liability for such use. Site specific design should be performed by a licensed Professional Engineer based on actual site conditions, materials, and local practices.

Stone Strong LLC retains all common law, statutory, and other reserved rights to these drawings including the copyright. Limited license is granted to copy, reproduce, or modify the details to prepare construction drawings for Stone Strong retaining walls. Stone Strong LLC makes no warranties, either expressed or implied, of merchantability or fitness for any particular purpose, and accepts no responsibility for the accuracy, suitability, or completeness of information contained herein.



www.stonestrong.com

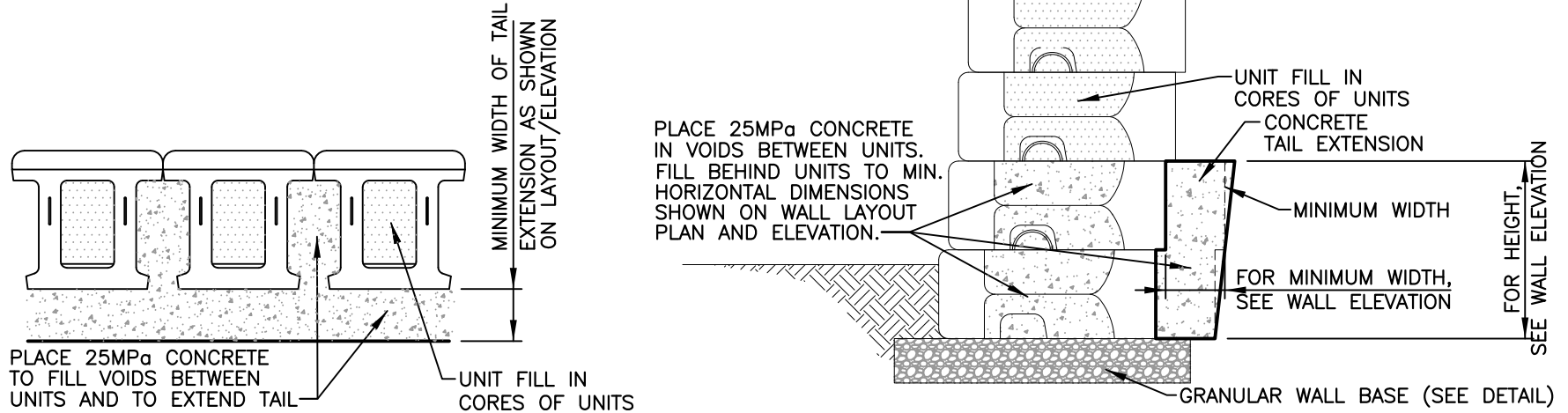
PROJECT

TYPICAL DETAILS  
STONE STRONG SYSTEMS

DATE: 1/10/17

FILE: 18\_24sf.TailExt.CIP

**NOTE:**  
 ON CONVEX CURVES, PROVIDE REINFORCEMENT TO  
 ATTACH EXTENSION DUE TO REDUCED OPENING  
 WIDTH BETWEEN TAILS.



## 6SF CONCRETE TAIL EXTENSION DETAIL (CAST-IN-PLACE)

NOT TO SCALE

**DISCLAIMER:**

These typical details are preliminary and conceptual in nature. They are provided for general information purposes only. Anyone making use of these details and related information does so at their own risk and assumes all liability for such use. Site specific design should be performed by a licensed Professional Engineer based on actual site conditions, materials, and local practices.

Stone Strong LLC retains all common law, statutory, and other reserved rights to these drawings including the copyright. Limited license is granted to copy, reproduce, or modify the details to prepare construction drawings for Stone Strong retaining walls. Stone Strong LLC makes no warranties, either expressed or implied, of merchantability or fitness for any particular purpose, and accepts no responsibility for the accuracy, suitability, or completeness of information contained herein.



[www.stonestrong.com](http://www.stonestrong.com)

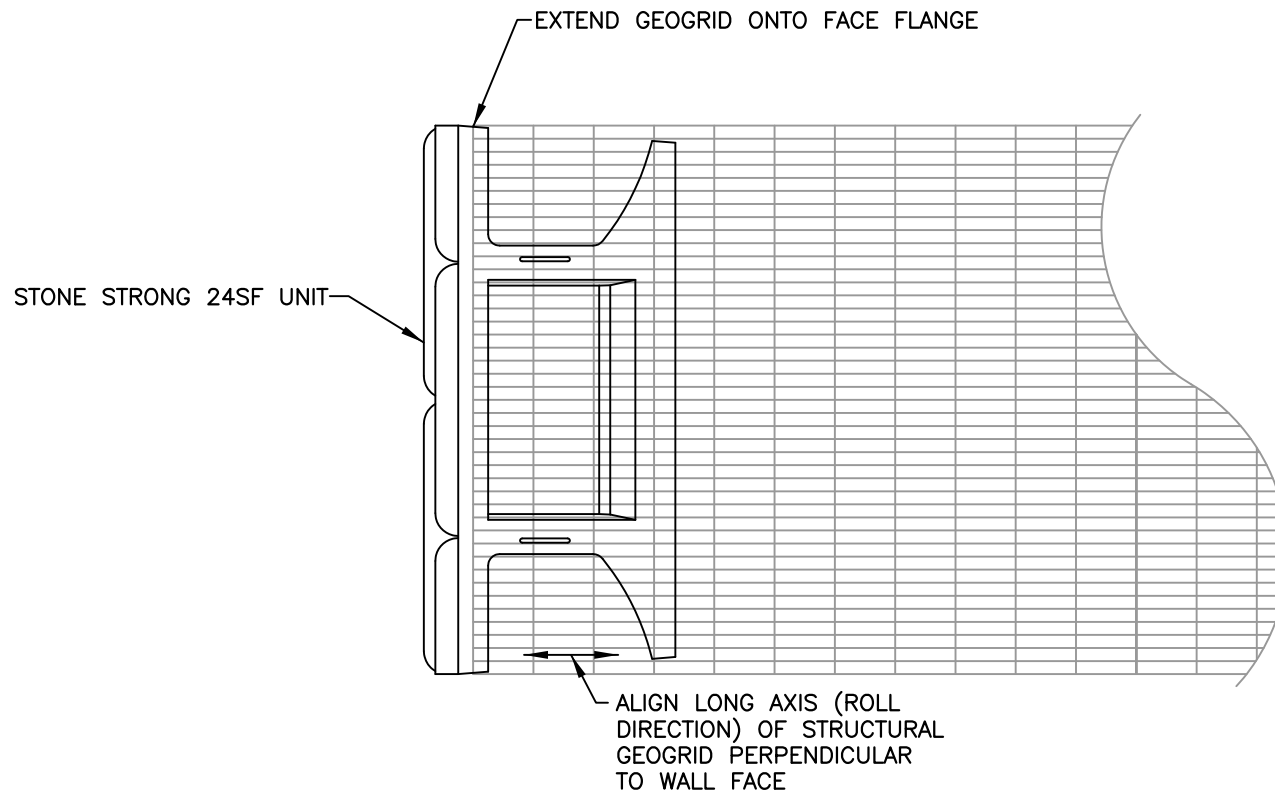
PROJECT

TYPICAL DETAILS  
 STONE STRONG SYSTEMS

DATE: 1/10/17 | FILE: 19\_6sf.TailExt.CIP

**NOTE:**

USE REINFORCED 24SF UNITS BELOW TOP 3.66m IN GEOGRID REINFORCED WALLS.  
SEE FACE AND WEB MESH DETAILS FOR OPTIONAL REINFORCEMENT GRID.



## 24SF GEOGRID ORIENTATION

NOT TO SCALE

**DISCLAIMER:**

These typical details are preliminary and conceptual in nature. They are provided for general information purposes only. Anyone making use of these details and related information does so at their own risk and assumes all liability for such use. Site specific design should be performed by a licensed Professional Engineer based on actual site conditions, materials, and local practices.

Stone Strong LLC retains all common law, statutory, and other reserved rights to these drawings including the copyright. Limited license is granted to copy, reproduce, or modify the details to prepare construction drawings for Stone Strong retaining walls. Stone Strong LLC makes no warranties, either expressed or implied, of merchantability or fitness for any particular purpose, and accepts no responsibility for the accuracy, suitability, or completeness of information contained herein.

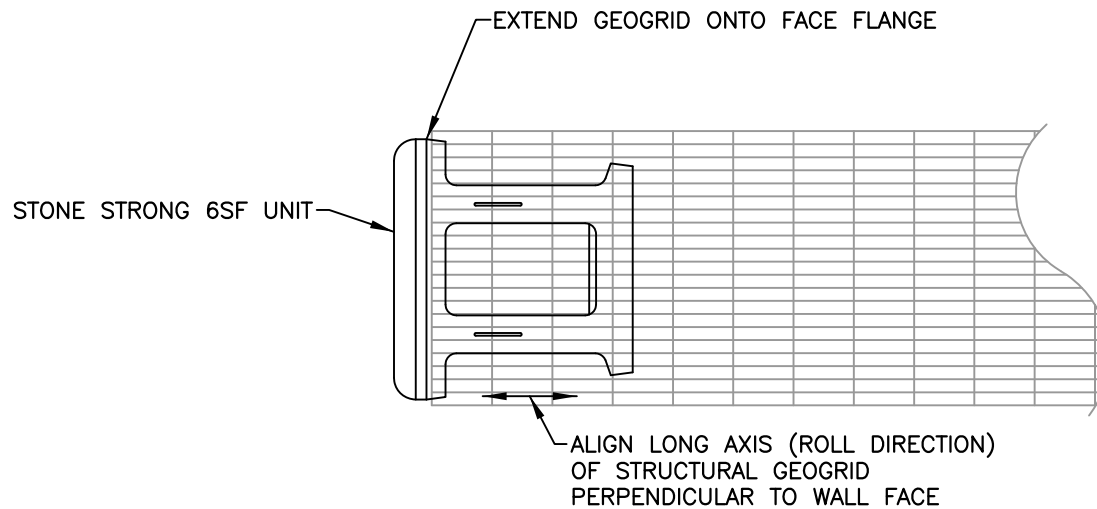


[www.stonestrong.com](http://www.stonestrong.com)

PROJECT

TYPICAL DETAILS  
STONE STRONG SYSTEMS

DATE: 2/10/16 | FILE: 20\_24sf.GridOrient



## 6SF GEOGRID ORIENTATION

NOT TO SCALE

**DISCLAIMER:**

These typical details are preliminary and conceptual in nature. They are provided for general information purposes only. Anyone making use of these details and related information does so at their own risk and assumes all liability for such use. Site specific design should be performed by a licensed Professional Engineer based on actual site conditions, materials, and local practices.

Stone Strong LLC retains all common law, statutory, and other reserved rights to these drawings including the copyright. Limited license is granted to copy, reproduce, or modify the details to prepare construction drawings for Stone Strong retaining walls. Stone Strong LLC makes no warranties, either expressed or implied, of merchantability or fitness for any particular purpose, and accepts no responsibility for the accuracy, suitability, or completeness of information contained herein.



[www.stonestrong.com](http://www.stonestrong.com)

PROJECT

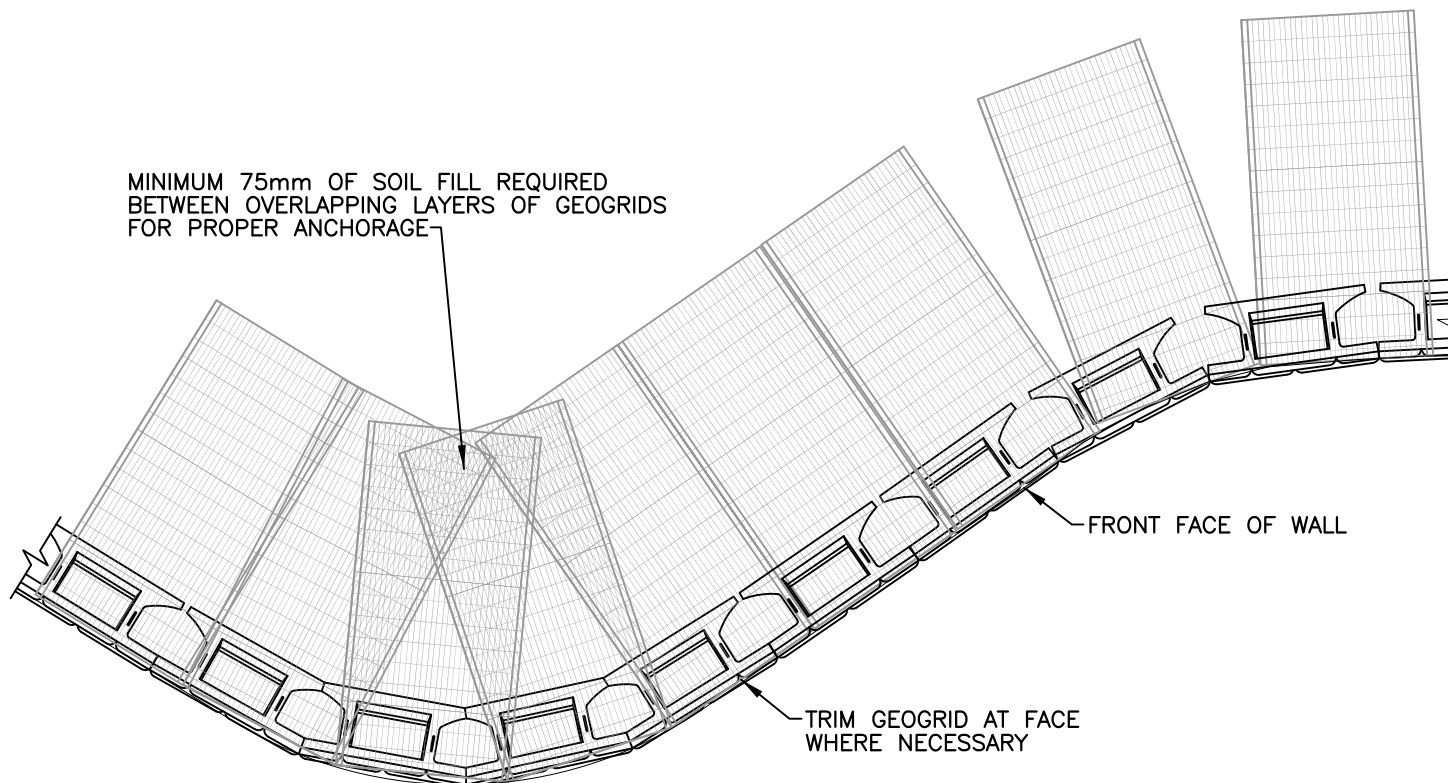
TYPICAL DETAILS  
STONE STRONG SYSTEMS

DATE: 2/10/16

FILE: 21\_6sf.GridOrient

**NOTE:**

USE REINFORCED 24SF UNITS BELOW TOP 3.66m IN GEOGRID REINFORCED WALLS.  
SEE FACE AND WEB MESH DETAILS FOR OPTIONAL REINFORCEMENT GRID.



## 24SF GEOGRID PLACEMENT ON CURVES

NOT TO SCALE

**DISCLAIMER:**

These typical details are preliminary and conceptual in nature. They are provided for general information purposes only. Anyone making use of these details and related information does so at their own risk and assumes all liability for such use. Site specific design should be performed by a licensed Professional Engineer based on actual site conditions, materials, and local practices.

Stone Strong LLC retains all common law, statutory, and other reserved rights to these drawings including the copyright. Limited license is granted to copy, reproduce, or modify the details to prepare construction drawings for Stone Strong retaining walls. Stone Strong LLC makes no warranties, either expressed or implied, of merchantability or fitness for any particular purpose, and accepts no responsibility for the accuracy, suitability, or completeness of information contained herein.

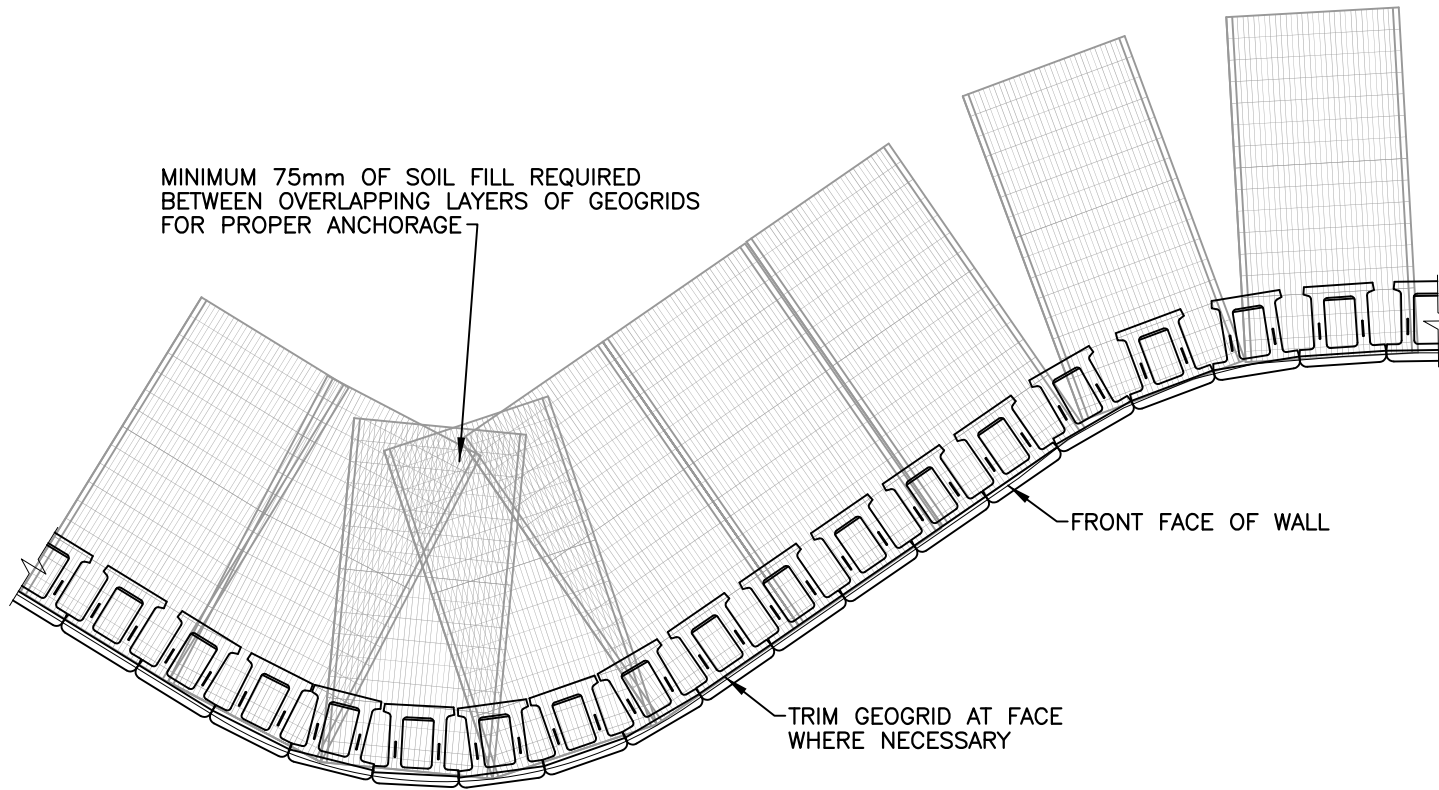


[www.stonestrong.com](http://www.stonestrong.com)

PROJECT

TYPICAL DETAILS  
STONE STRONG SYSTEMS

DATE: 2/10/16 | FILE: 22\_24sf.Grid.Curves



## 6SF GEOGRID PLACEMENT ON CURVES

NOT TO SCALE

### DISCLAIMER:

These typical details are preliminary and conceptual in nature. They are provided for general information purposes only. Anyone making use of these details and related information does so at their own risk and assumes all liability for such use. Site specific design should be performed by a licensed Professional Engineer based on actual site conditions, materials, and local practices.

Stone Strong LLC retains all common law, statutory, and other reserved rights to these drawings including the copyright. Limited license is granted to copy, reproduce, or modify the details to prepare construction drawings for Stone Strong retaining walls. Stone Strong LLC makes no warranties, either expressed or implied, of merchantability or fitness for any particular purpose, and accepts no responsibility for the accuracy, suitability, or completeness of information contained herein.

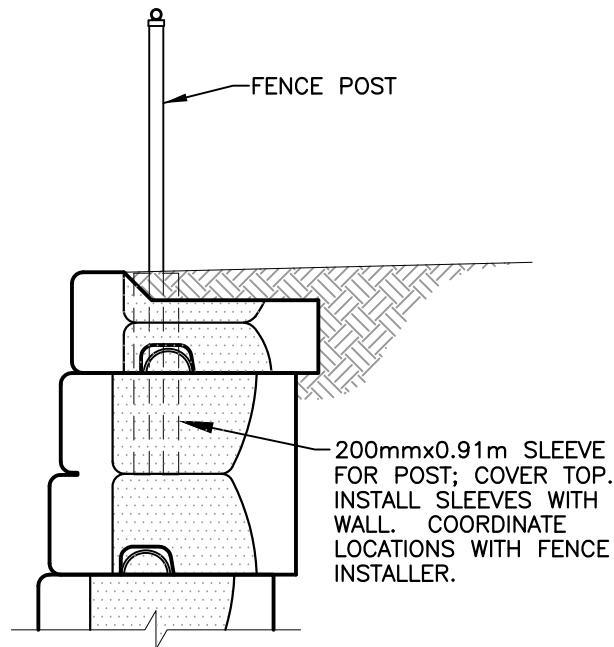


[www.stonestrong.com](http://www.stonestrong.com)

PROJECT

TYPICAL DETAILS  
STONE STRONG SYSTEMS

DATE: 2/10/16 | FILE: 23\_6sf.Grid.Curves



**FENCE SLEEVE**  
NOT TO SCALE

**DISCLAIMER:**

These typical details are preliminary and conceptual in nature. They are provided for general information purposes only. Anyone making use of these details and related information does so at their own risk and assumes all liability for such use. Site specific design should be performed by a licensed Professional Engineer based on actual site conditions, materials, and local practices.

Stone Strong LLC retains all common law, statutory, and other reserved rights to these drawings including the copyright. Limited license is granted to copy, reproduce, or modify the details to prepare construction drawings for Stone Strong retaining walls. Stone Strong LLC makes no warranties, either expressed or implied, of merchantability or fitness for any particular purpose, and accepts no responsibility for the accuracy, suitability, or completeness of information contained herein.



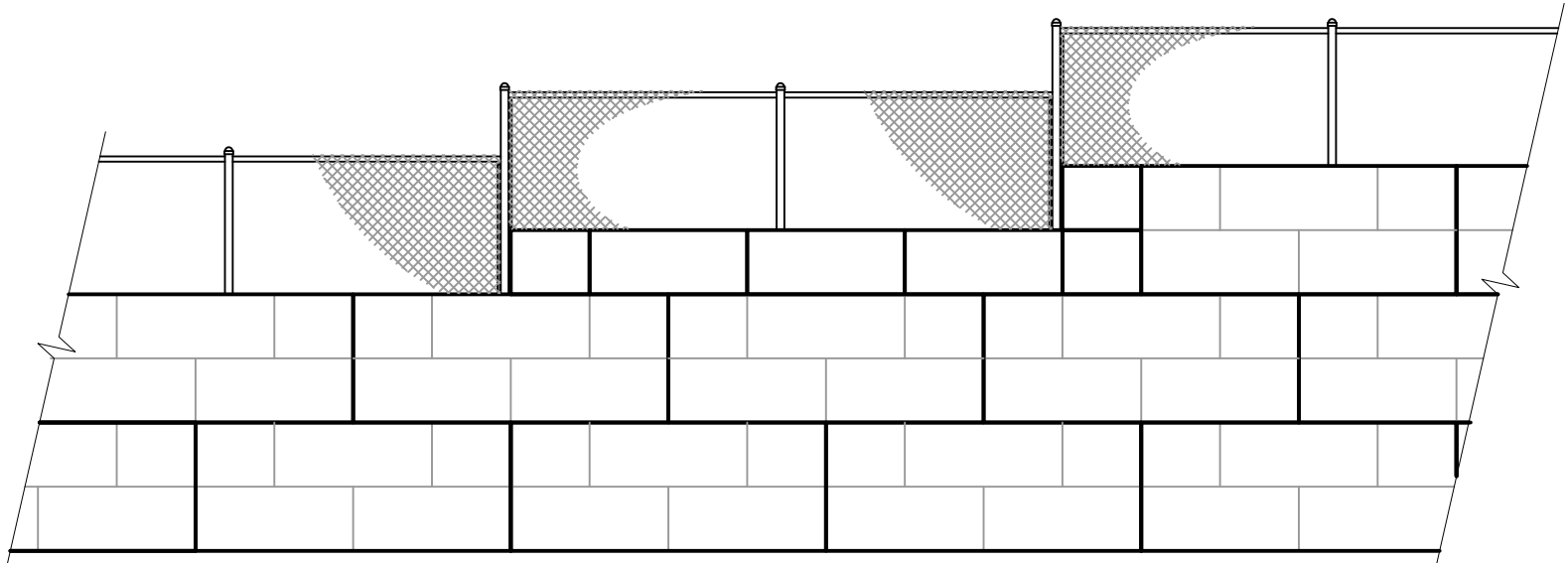
[www.stonestrong.com](http://www.stonestrong.com)

PROJECT

TYPICAL DETAILS  
STONE STRONG SYSTEMS

DATE: 2/10/16 FILE: 24\_6sf.FenceSleeve





## TYPICAL FENCE CONFIGURATION

NOT TO SCALE

**DISCLAIMER:**

These typical details are preliminary and conceptual in nature. They are provided for general information purposes only. Anyone making use of these details and related information does so at their own risk and assumes all liability for such use. Site specific design should be performed by a licensed Professional Engineer based on actual site conditions, materials, and local practices.

Stone Strong LLC retains all common law, statutory, and other reserved rights to these drawings including the copyright. Limited license is granted to copy, reproduce, or modify the details to prepare construction drawings for Stone Strong retaining walls. Stone Strong LLC makes no warranties, either expressed or implied, of merchantability or fitness for any particular purpose, and accepts no responsibility for the accuracy, suitability, or completeness of information contained herein.

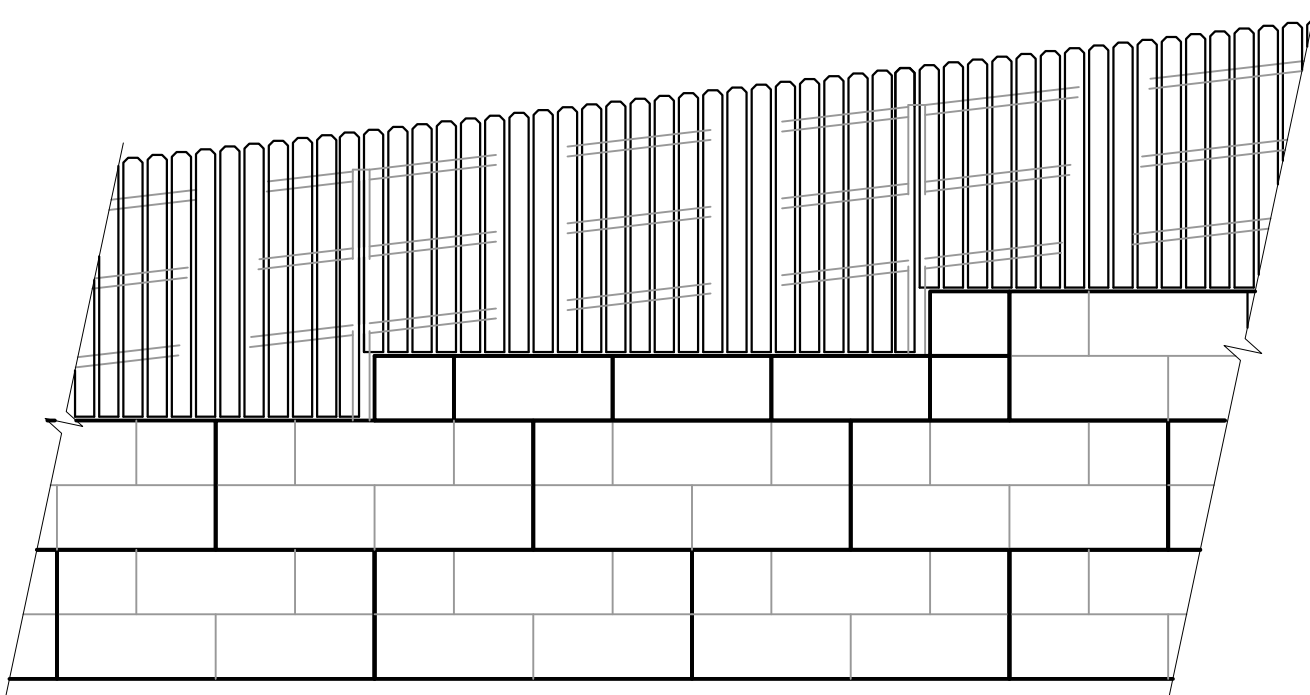


[www.stonestrong.com](http://www.stonestrong.com)

PROJECT

TYPICAL DETAILS  
STONE STRONG SYSTEMS

DATE: 2/10/16 | FILE: 25\_FenceConfig.Type



OPTIONAL FENCE CONFIGURATION  
NOT TO SCALE

**DISCLAIMER:**

These typical details are preliminary and conceptual in nature. They are provided for general information purposes only. Anyone making use of these details and related information does so at their own risk and assumes all liability for such use. Site specific design should be performed by a licensed Professional Engineer based on actual site conditions, materials, and local practices.

Stone Strong LLC retains all common law, statutory, and other reserved rights to these drawings including the copyright. Limited license is granted to copy, reproduce, or modify the details to prepare construction drawings for Stone Strong retaining walls. Stone Strong LLC makes no warranties, either expressed or implied, of merchantability or fitness for any particular purpose, and accepts no responsibility for the accuracy, suitability, or completeness of information contained herein.

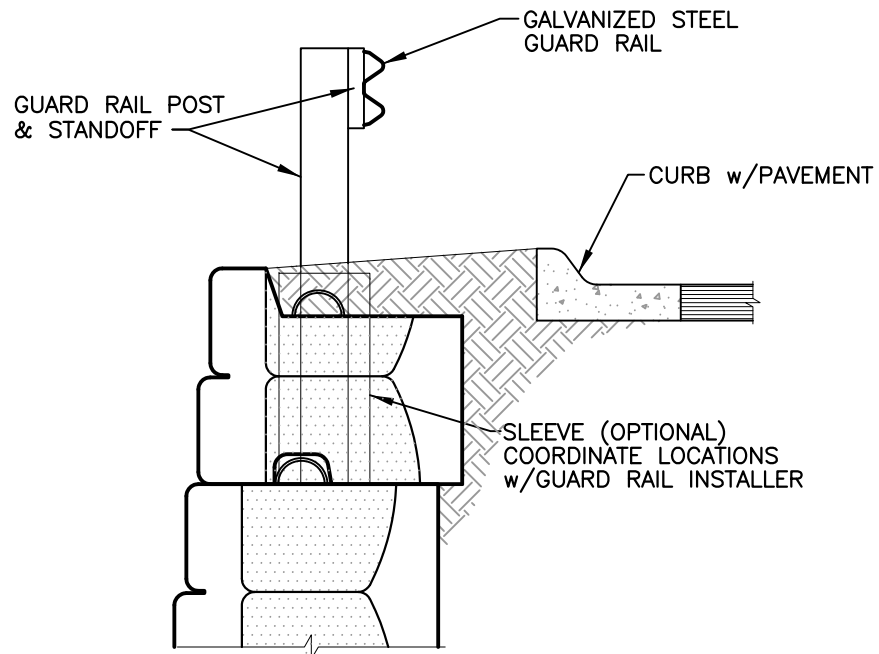


[www.stonestrong.com](http://www.stonestrong.com)

PROJECT

TYPICAL DETAILS  
STONE STRONG SYSTEMS

DATE: 2/10/16 | FILE: 26\_FenceConfig.Opt



**WALL w/GUARD RAIL**  
NOT TO SCALE

**DISCLAIMER:**

These typical details are preliminary and conceptual in nature. They are provided for general information purposes only. Anyone making use of these details and related information does so at their own risk and assumes all liability for such use. Site specific design should be performed by a licensed Professional Engineer based on actual site conditions, materials, and local practices.

Stone Strong LLC retains all common law, statutory, and other reserved rights to these drawings including the copyright. Limited license is granted to copy, reproduce, or modify the details to prepare construction drawings for Stone Strong retaining walls. Stone Strong LLC makes no warranties, either expressed or implied, of merchantability or fitness for any particular purpose, and accepts no responsibility for the accuracy, suitability, or completeness of information contained herein.

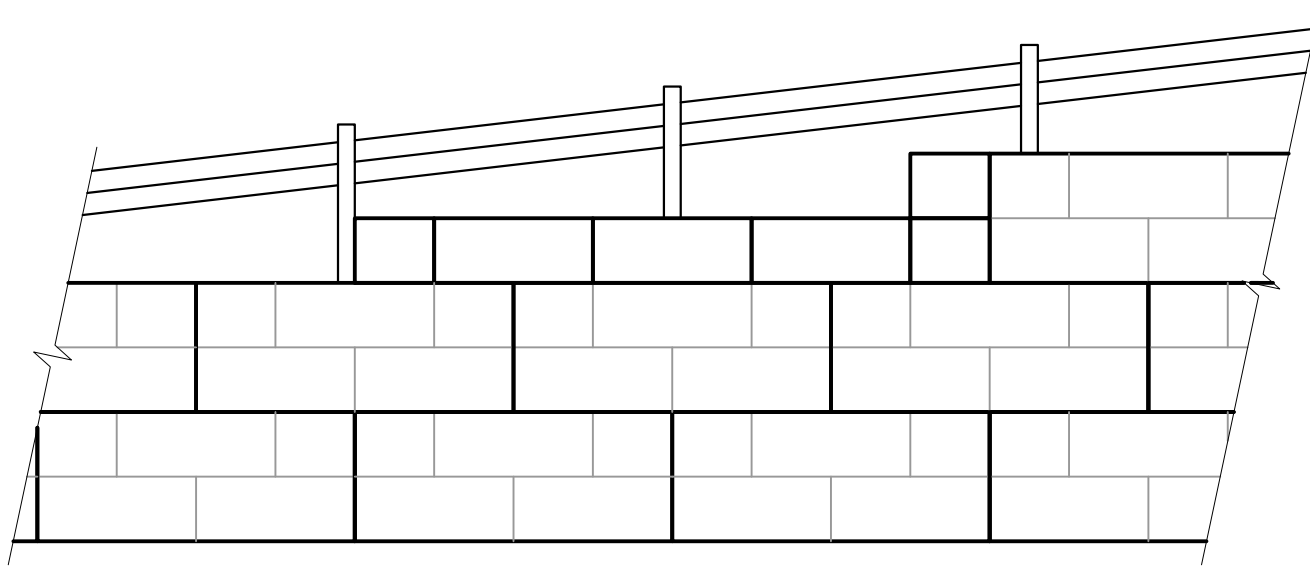


[www.stonestrong.com](http://www.stonestrong.com)

PROJECT

TYPICAL DETAILS  
STONE STRONG SYSTEMS

DATE: 2/10/16 | FILE: 27\_GuardRail



TYPICAL GUARDRAIL CONFIGURATION  
NOT TO SCALE

**DISCLAIMER:**

These typical details are preliminary and conceptual in nature. They are provided for general information purposes only. Anyone making use of these details and related information does so at their own risk and assumes all liability for such use. Site specific design should be performed by a licensed Professional Engineer based on actual site conditions, materials, and local practices.

Stone Strong LLC retains all common law, statutory, and other reserved rights to these drawings including the copyright. Limited license is granted to copy, reproduce, or modify the details to prepare construction drawings for Stone Strong retaining walls. Stone Strong LLC makes no warranties, either expressed or implied, of merchantability or fitness for any particular purpose, and accepts no responsibility for the accuracy, suitability, or completeness of information contained herein.



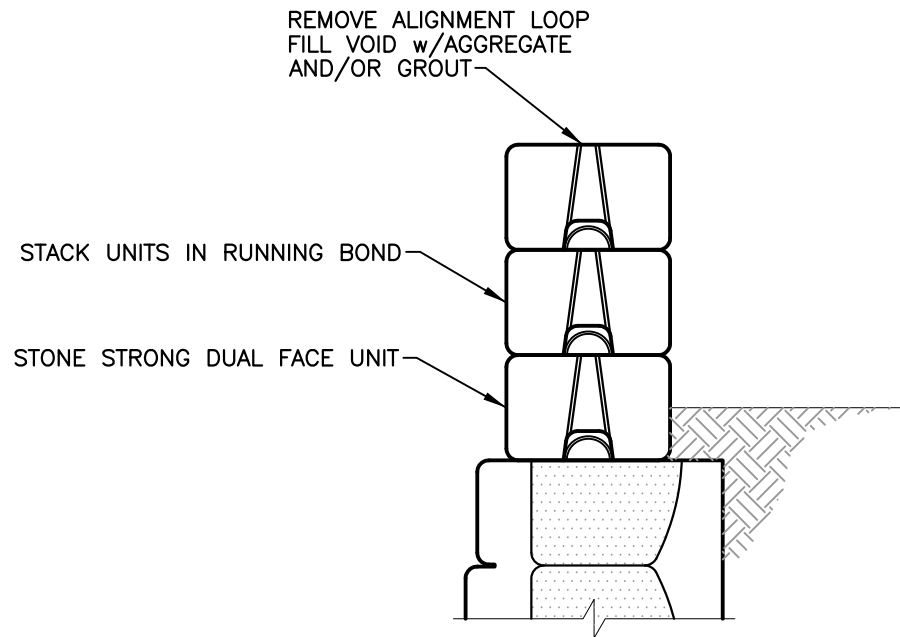
[www.stonestrong.com](http://www.stonestrong.com)

PROJECT

TYPICAL DETAILS  
STONE STRONG SYSTEMS

DATE: 2/10/16 | FILE: 28\_GuardRail.Config

NOTE:  
 NO REPRESENTATION IS MADE ON STRENGTH OR CAPACITY OF PARAPET FOR BARRIER USE. USER SHOULD DETERMINE CAPABILITY OR SUITABILITY FOR INTENDED APPLICATION.



## DUAL FACE PARAPET WALL

NOT TO SCALE

CHECK ON AVAILABILITY OF ALL UNITS w/ LOCAL PRODUCER/ DEALER. SOME UNITS MAY HAVE LIMITED AVAILABILITY.

**DISCLAIMER:**

These typical details are preliminary and conceptual in nature. They are provided for general information purposes only. Anyone making use of these details and related information does so at their own risk and assumes all liability for such use. Site specific design should be performed by a licensed Professional Engineer based on actual site conditions, materials, and local practices.

Stone Strong LLC retains all common law, statutory, and other reserved rights to these drawings including the copyright. Limited license is granted to copy, reproduce, or modify the details to prepare construction drawings for Stone Strong retaining walls. Stone Strong LLC makes no warranties, either expressed or implied, of merchantability or fitness for any particular purpose, and accepts no responsibility for the accuracy, suitability, or completeness of information contained herein.



[www.stonestrong.com](http://www.stonestrong.com)

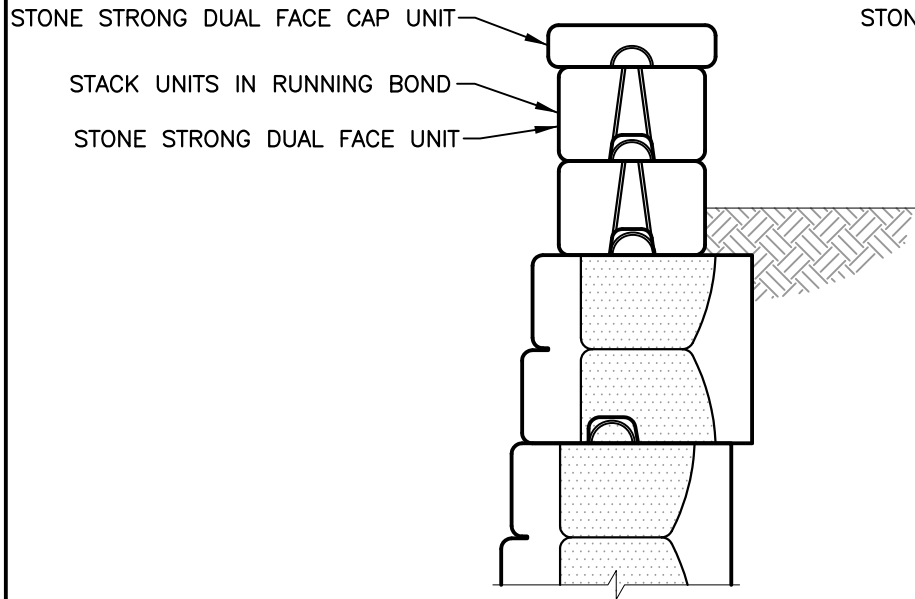
PROJECT

TYPICAL DETAILS  
 STONE STRONG SYSTEMS

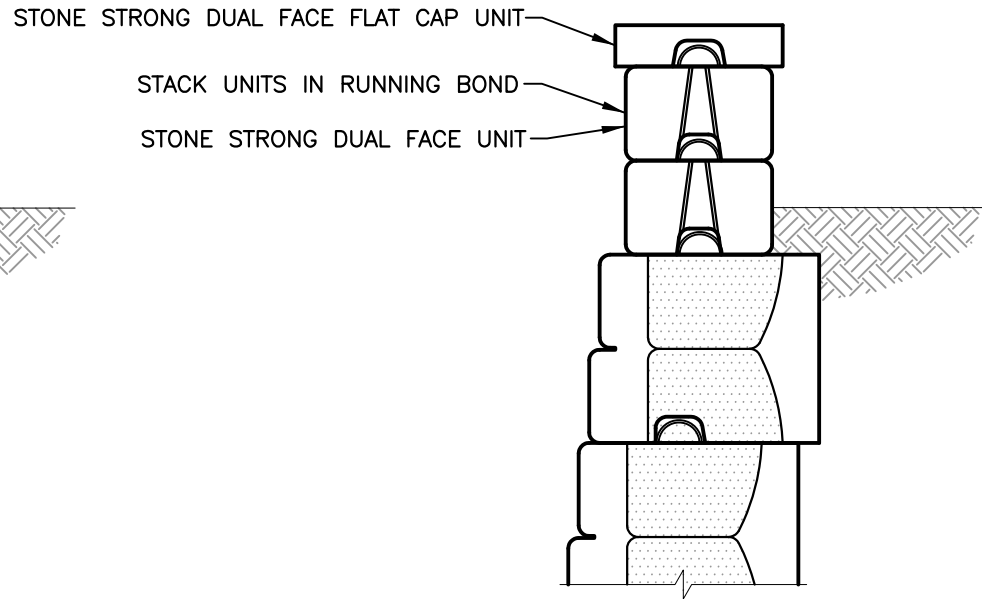
DATE: 2/10/16 | FILE: 29\_DF.Parapet

NOTE:

NO REPRESENTATION IS MADE ON STRENGTH OR CAPACITY OF PARAPET FOR BARRIER USE. USER SHOULD DETERMINE CAPABILITY OR SUITABILITY FOR INTENDED APPLICATION.



DUAL FACE PARAPET  
WALL w/CAP  
NOT TO SCALE



DUAL FACE PARAPET  
WALL w/FLAT CAP  
NOT TO SCALE

CHECK ON AVAILABILITY OF ALL UNITS w/ LOCAL PRODUCER/ DEALER. SOME UNITS MAY HAVE LIMITED AVAILABILITY.

DISCLAIMER:

These typical details are preliminary and conceptual in nature. They are provided for general information purposes only. Anyone making use of these details and related information does so at their own risk and assumes all liability for such use. Site specific design should be performed by a licensed Professional Engineer based on actual site conditions, materials, and local practices.

Stone Strong LLC retains all common law, statutory, and other reserved rights to these drawings including the copyright. Limited license is granted to copy, reproduce, or modify the details to prepare construction drawings for Stone Strong retaining walls. Stone Strong LLC makes no warranties, either expressed or implied, of merchantability or fitness for any particular purpose, and accepts no responsibility for the accuracy, suitability, or completeness of information contained herein.



www.stonestrong.com

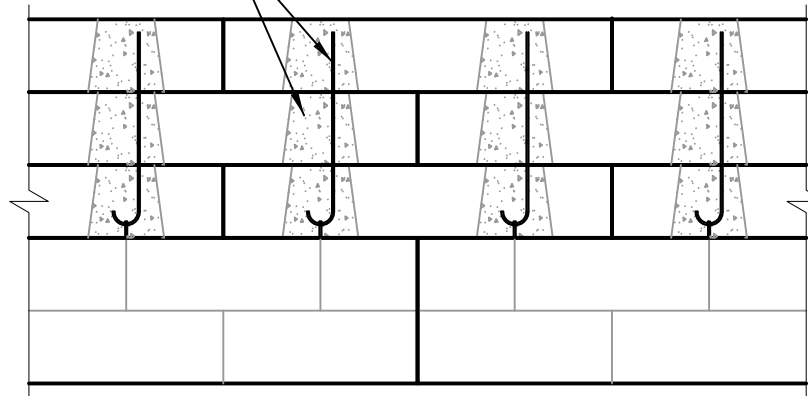
PROJECT

TYPICAL DETAILS  
STONE STRONG SYSTEMS

DATE: 2/10/16 | FILE: 30\_DF.Parapet.Cap

**NOTE:**  
 NO REPRESENTATION IS MADE ON STRENGTH OR CAPACITY FOR BARRIER APPLICATION. USER SHOULD DETERMINE CAPABILITY OR SUITABILITY FOR INTENDED APPLICATION.

REINFORCE & GROUT VOIDS TO INCREASE PARAPET STRENGTH PER SPECIFIC APPLICATION



## OPTIONAL PARAPET REINFORCEMENT

NOT TO SCALE

CHECK ON AVAILABILITY OF ALL UNITS w/ LOCAL PRODUCER/ DEALER. SOME UNITS MAY HAVE LIMITED AVAILABILITY.

**DISCLAIMER:**

These typical details are preliminary and conceptual in nature. They are provided for general information purposes only. Anyone making use of these details and related information does so at their own risk and assumes all liability for such use. Site specific design should be performed by a licensed Professional Engineer based on actual site conditions, materials, and local practices.

Stone Strong LLC retains all common law, statutory, and other reserved rights to these drawings including the copyright. Limited license is granted to copy, reproduce, or modify the details to prepare construction drawings for Stone Strong retaining walls. Stone Strong LLC makes no warranties, either expressed or implied, of merchantability or fitness for any particular purpose, and accepts no responsibility for the accuracy, suitability, or completeness of information contained herein.



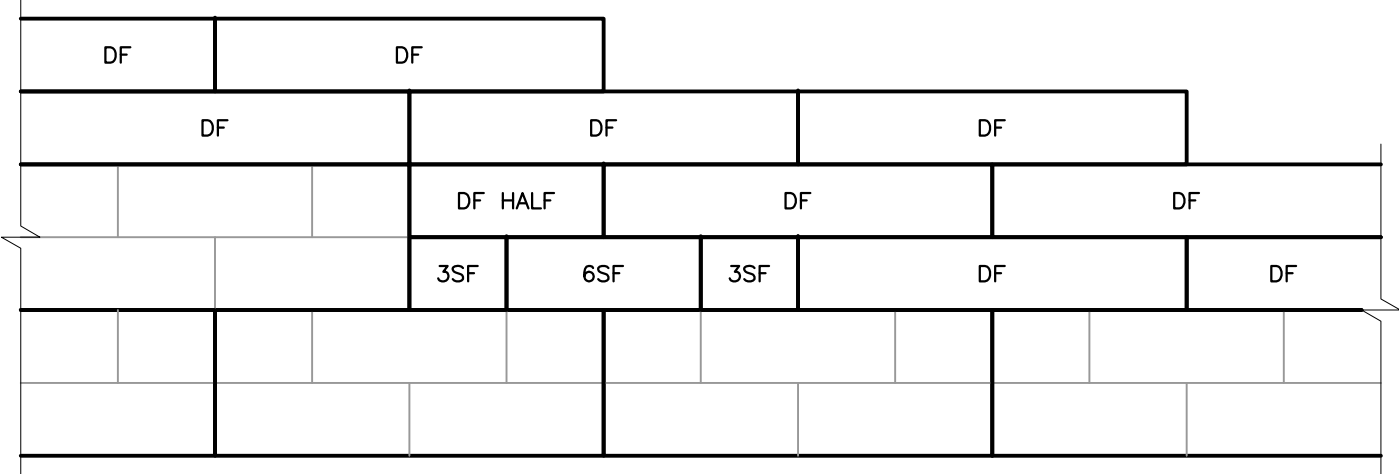
[www.stonestrong.com](http://www.stonestrong.com)

PROJECT

TYPICAL DETAILS  
 STONE STRONG SYSTEMS

DATE: 2/10/16 | FILE: 31\_DF.Parapet.Reinforce

NOTE:  
 USER SHOULD DETERMINE CAPABILITY  
 OR SUITABILITY OF PARAPET FOR BARRIER  
 LOADING.



DUAL FACE PARAPET WALL STEP

NOT TO SCALE

CHECK ON AVAILABILITY OF ALL UNITS w/ LOCAL PRODUCER/  
 DEALER. SOME UNITS MAY HAVE LIMITED AVAILABILITY.

DISCLAIMER:

These typical details are preliminary and conceptual in nature. They are provided for general information purposes only. Anyone making use of these details and related information does so at their own risk and assumes all liability for such use. Site specific design should be performed by a licensed Professional Engineer based on actual site conditions, materials, and local practices.

Stone Strong LLC retains all common law, statutory, and other reserved rights to these drawings including the copyright. Limited license is granted to copy, reproduce, or modify the details to prepare construction drawings for Stone Strong retaining walls. Stone Strong LLC makes no warranties, either expressed or implied, of merchantability or fitness for any particular purpose, and accepts no responsibility for the accuracy, suitability, or completeness of information contained herein.

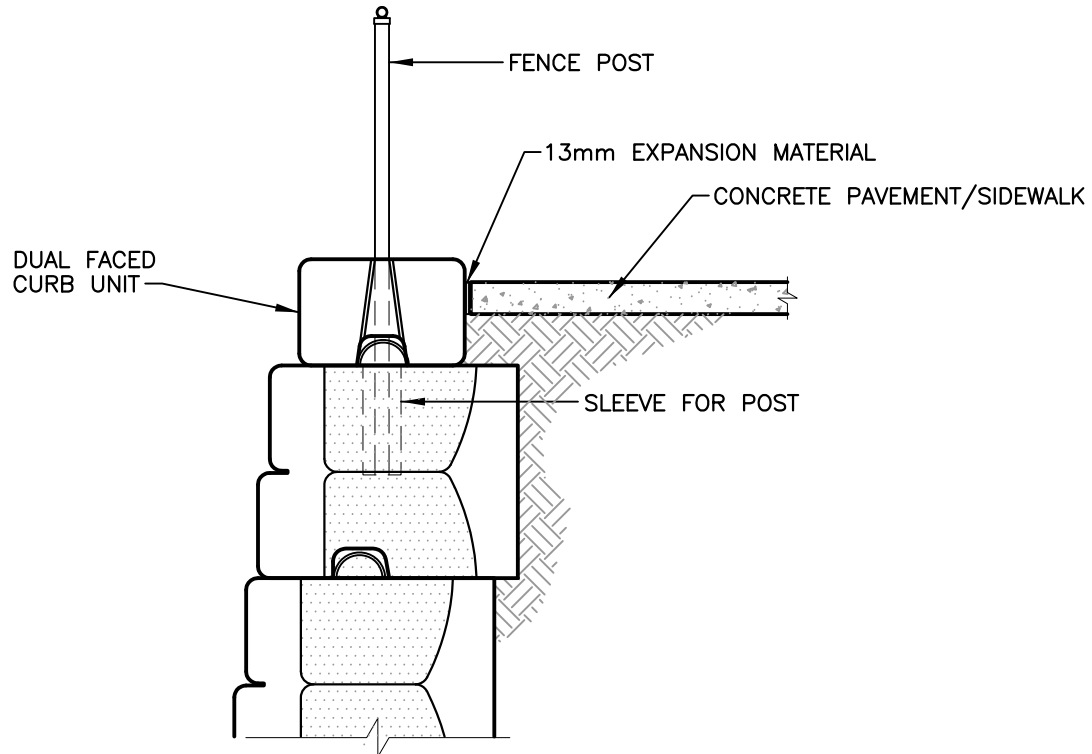


www.stonestrong.com

PROJECT  
 TYPICAL DETAILS  
 STONE STRONG SYSTEMS

DATE: 2/10/16 | FILE: 32\_DF.Parapet.Step





## DUAL FACE CURB w/SIDEWALK

NOT TO SCALE

CHECK ON AVAILABILITY OF ALL UNITS w/ LOCAL PRODUCER/ DEALER. SOME UNITS MAY HAVE LIMITED AVAILABILITY.

### DISCLAIMER:

These typical details are preliminary and conceptual in nature. They are provided for general information purposes only. Anyone making use of these details and related information does so at their own risk and assumes all liability for such use. Site specific design should be performed by a licensed Professional Engineer based on actual site conditions, materials, and local practices.

Stone Strong LLC retains all common law, statutory, and other reserved rights to these drawings including the copyright. Limited license is granted to copy, reproduce, or modify the details to prepare construction drawings for Stone Strong retaining walls. Stone Strong LLC makes no warranties, either expressed or implied, of merchantability or fitness for any particular purpose, and accepts no responsibility for the accuracy, suitability, or completeness of information contained herein.



[www.stonestrong.com](http://www.stonestrong.com)

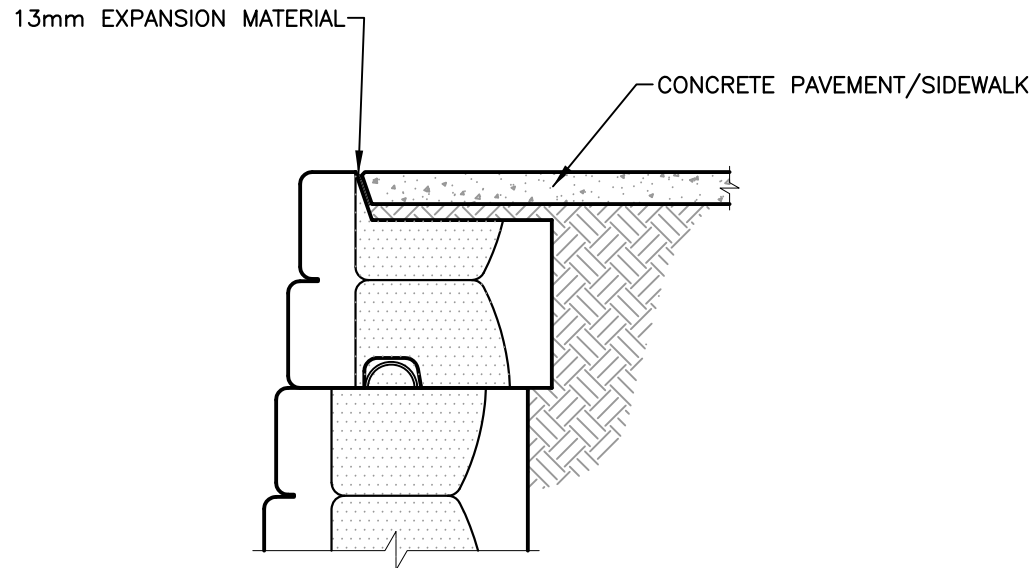
PROJECT

TYPICAL DETAILS  
STONE STRONG SYSTEMS

DATE: 2/10/16

FILE: 33\_DF.Sidewalk

NOTE:  
FOR LEVEL GRADES ONLY. CONSIDER  
STEP TRANSITIONS FOR SLOPING  
GRADES.



TOP OF WALL w/SIDEWALK  
NOT TO SCALE

**DISCLAIMER:**

These typical details are preliminary and conceptual in nature. They are provided for general information purposes only. Anyone making use of these details and related information does so at their own risk and assumes all liability for such use. Site specific design should be performed by a licensed Professional Engineer based on actual site conditions, materials, and local practices.

Stone Strong LLC retains all common law, statutory, and other reserved rights to these drawings including the copyright. Limited license is granted to copy, reproduce, or modify the details to prepare construction drawings for Stone Strong retaining walls. Stone Strong LLC makes no warranties, either expressed or implied, of merchantability or fitness for any particular purpose, and accepts no responsibility for the accuracy, suitability, or completeness of information contained herein.



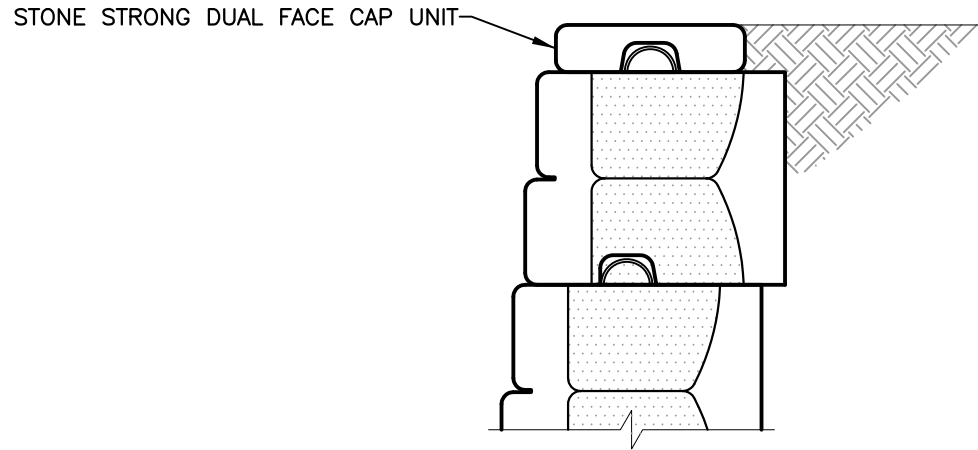
[www.stonestrong.com](http://www.stonestrong.com)

PROJECT

TYPICAL DETAILS  
STONE STRONG SYSTEMS

DATE: 2/10/16 | FILE: 34\_24sf.Sidewalk

NOTE:  
CAP UNIT IS OPTIONAL. TOP OF WALL IS  
FITTED w/TOP UNIT IN MOST APPLICATIONS.



STONE STRONG CAP UNIT  
NOT TO SCALE

CHECK ON AVAILABILITY OF ALL UNITS w/ LOCAL PRODUCER/  
DEALER. SOME UNITS MAY HAVE LIMITED AVAILABILITY.

DISCLAIMER:  
These typical details are preliminary and conceptual in nature. They are provided for general information purposes only. Anyone making use of these details and related information does so at their own risk and assumes all liability for such use. Site specific design should be performed by a licensed Professional Engineer based on actual site conditions, materials, and local practices.

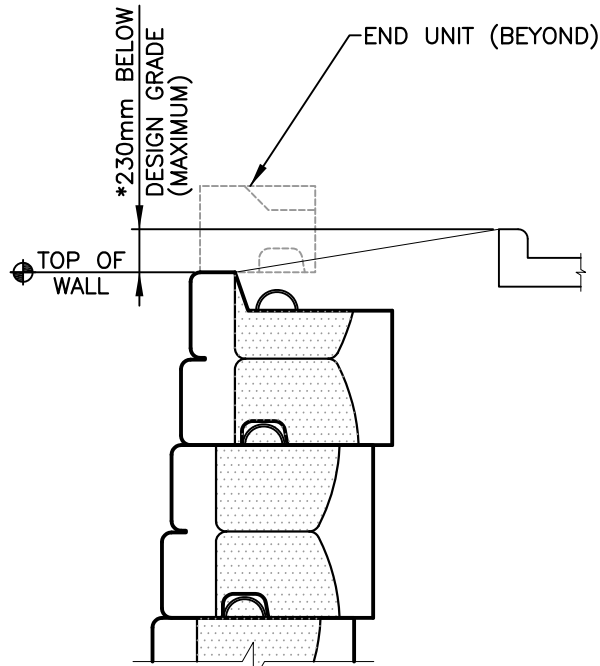
Stone Strong LLC retains all common law, statutory, and other reserved rights to these drawings including the copyright. Limited license is granted to copy, reproduce, or modify the details to prepare construction drawings for Stone Strong retaining walls. Stone Strong LLC makes no warranties, either expressed or implied, of merchantability or fitness for any particular purpose, and accepts no responsibility for the accuracy, suitability, or completeness of information contained herein.



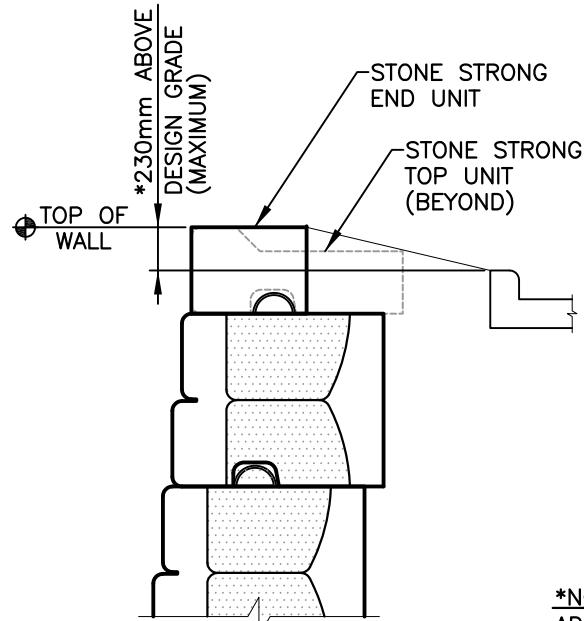
**STONE  
STRONG**  
SYSTEMS®

[www.stonestrong.com](http://www.stonestrong.com)

PROJECT	
TYPICAL DETAILS STONE STRONG SYSTEMS	
DATE: 2/10/16	FILE: 35_24sf.Cap.XSec



BELOW STEP



ABOVE STEP

TOP OF WALL TREATMENT  
AT 18" WALL STEPS

NOT TO SCALE

**\*NOTE:**

ADJUST GRADE SPLIT BASED UPON SPECIFIC PROJECT REQUIREMENTS. 150MM ABOVE/ 310mm BELOW SPLIT IS ALSO COMMON. TURN END UNIT TO RETURN 1.2m IF THERE ARE NO NEARBY OBSTACLES.

**DISCLAIMER:**

These typical details are preliminary and conceptual in nature. They are provided for general information purposes only. Anyone making use of these details and related information does so at their own risk and assumes all liability for such use. Site specific design should be performed by a licensed Professional Engineer based on actual site conditions, materials, and local practices.

Stone Strong LLC retains all common law, statutory, and other reserved rights to these drawings including the copyright. Limited license is granted to copy, reproduce, or modify the details to prepare construction drawings for Stone Strong retaining walls. Stone Strong LLC makes no warranties, either expressed or implied, of merchantability or fitness for any particular purpose, and accepts no responsibility for the accuracy, suitability, or completeness of information contained herein.

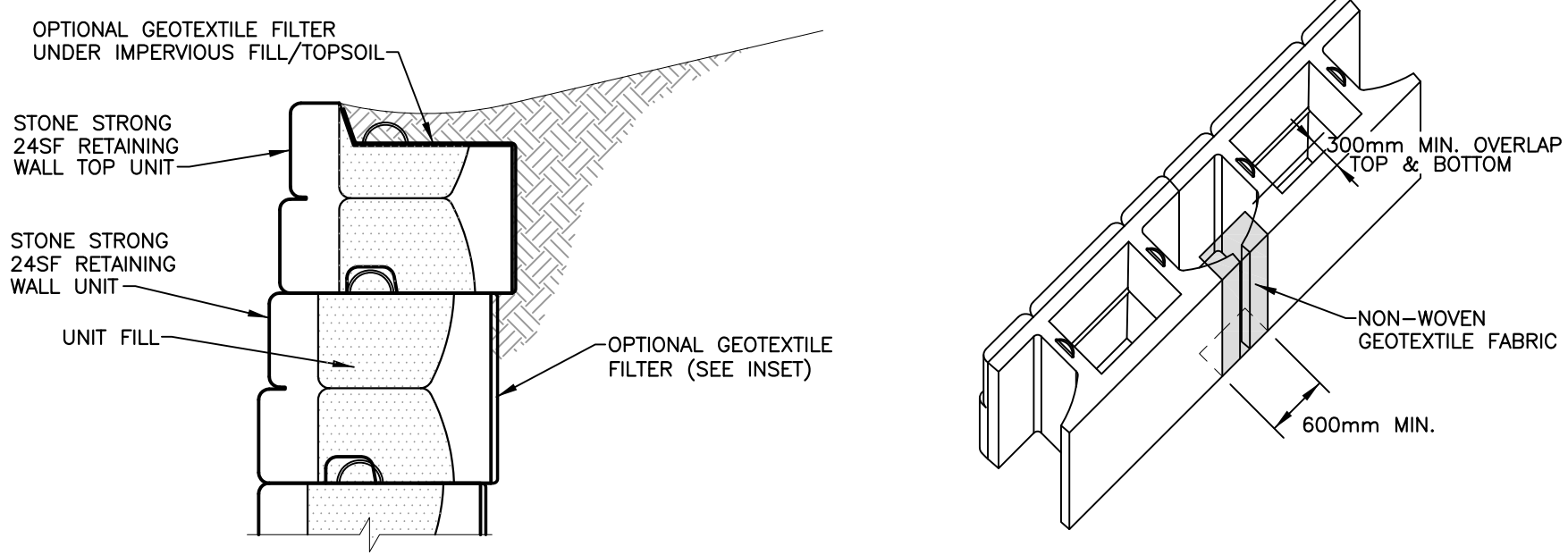


[www.stonestrong.com](http://www.stonestrong.com)

PROJECT

TYPICAL DETAILS  
STONE STRONG SYSTEMS

DATE: 2/10/16 | FILE: 36\_24sf.GradeSplit



OPTIONAL GEOTEXTILE FILTER  
NOT TO SCALE

**DISCLAIMER:**  
 These typical details are preliminary and conceptual in nature. They are provided for general information purposes only. Anyone making use of these details and related information does so at their own risk and assumes all liability for such use. Site specific design should be performed by a licensed Professional Engineer based on actual site conditions, materials, and local practices.

Stone Strong LLC retains all common law, statutory, and other reserved rights to these drawings including the copyright. Limited license is granted to copy, reproduce, or modify the details to prepare construction drawings for Stone Strong retaining walls. Stone Strong LLC makes no warranties, either expressed or implied, of merchantability or fitness for any particular purpose, and accepts no responsibility for the accuracy, suitability, or completeness of information contained herein.

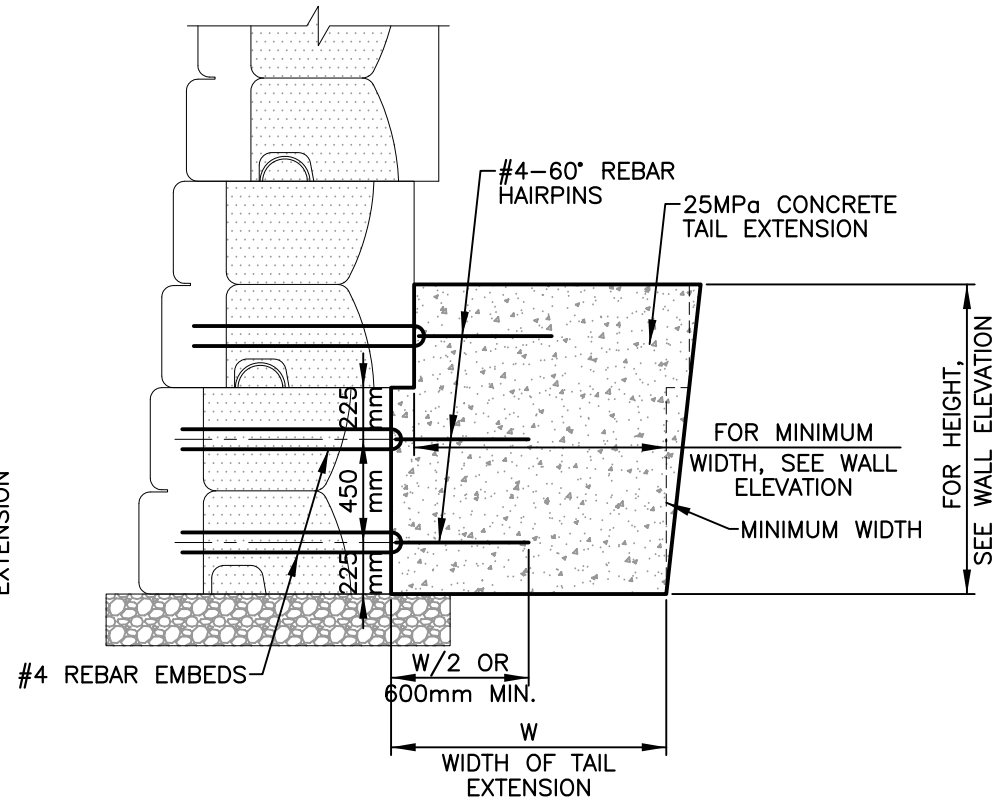
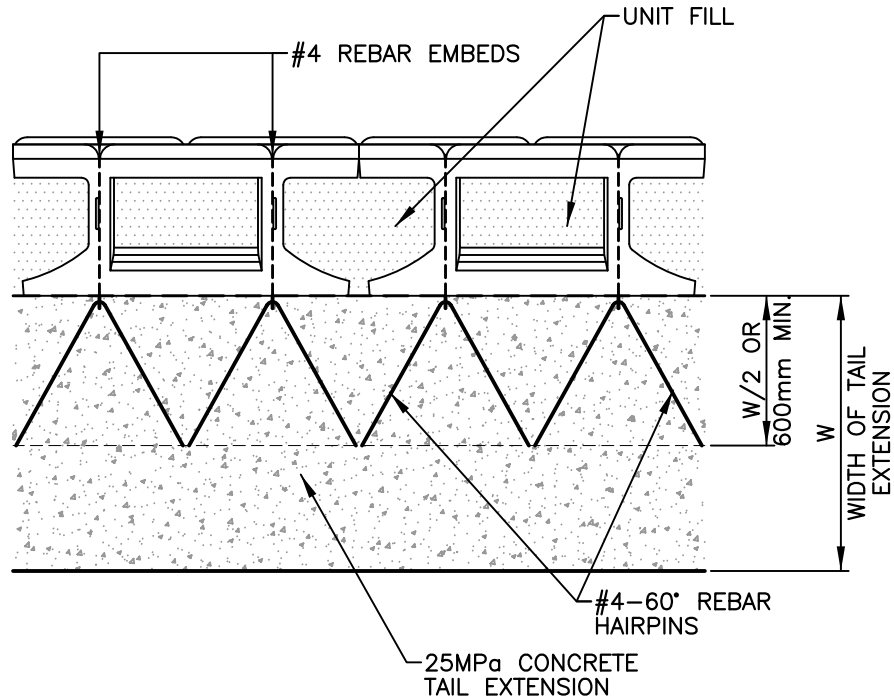


**STONE STRONG SYSTEMS®**  
[www.stonestrong.com](http://www.stonestrong.com)

PROJECT	
CROSS SECTIONS STONE STRONG SYSTEMS	
DATE: 2/10/16	FILE: 37_24sf.XSec.Filter

**NOTE:**

USE REBAR-TIED TAIL EXTENSIONS  
ON CONVEX CURVES OR TO ELIMINATE  
CONCRETE IN VOID BETWEEN UNITS



## 24 SF REBAR-TIED CONCRETE TAIL EXTENSION (CAST-IN-PLACE)

NOT TO SCALE

**DISCLAIMER:**

These typical details are preliminary and conceptual in nature. They are provided for general information purposes only. Anyone making use of these details and related information does so at their own risk and assumes all liability for such use. Site specific design should be performed by a licensed Professional Engineer based on actual site conditions, materials, and local practices.

Stone Strong LLC retains all common law, statutory, and other reserved rights to these drawings including the copyright. Limited license is granted to copy, reproduce, or modify the details to prepare construction drawings for Stone Strong retaining walls. Stone Strong LLC makes no warranties, either expressed or implied, of merchantability or fitness for any particular purpose, and accepts no responsibility for the accuracy, suitability, or completeness of information contained herein.



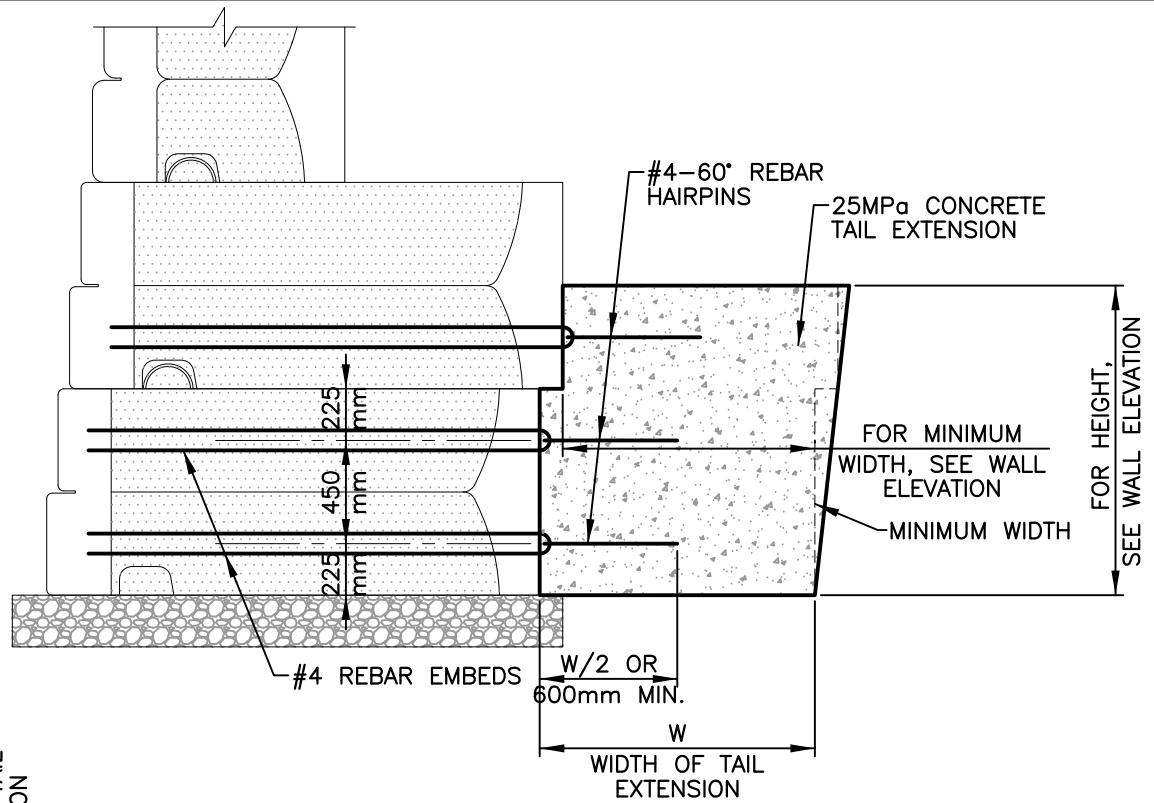
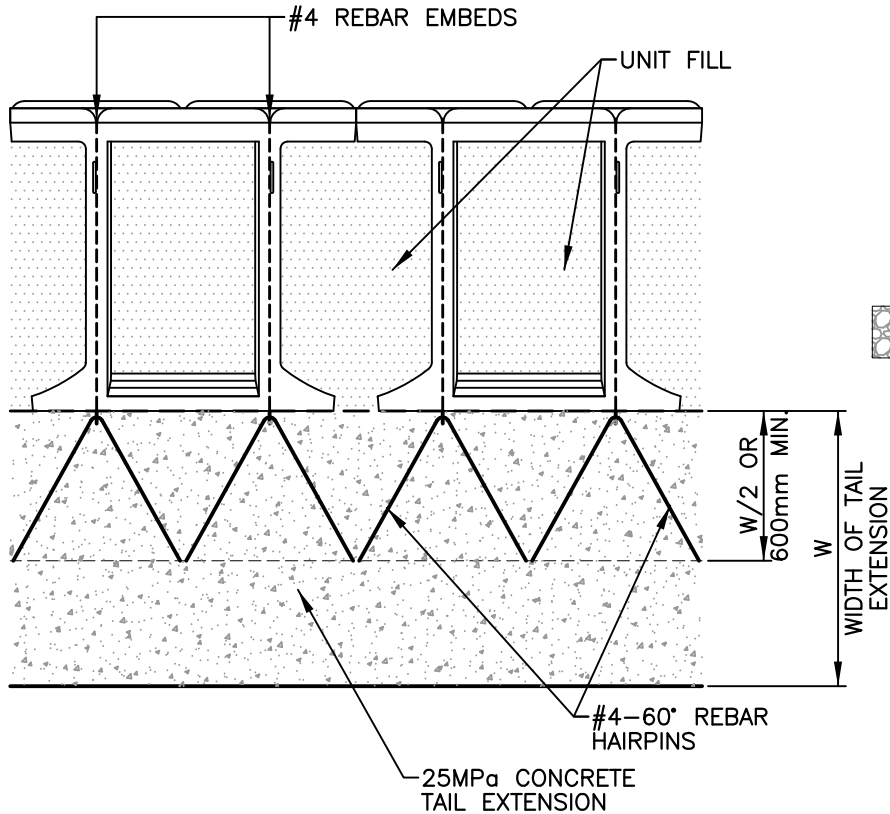
[www.stonestrong.com](http://www.stonestrong.com)

PROJECT

TYPICAL DETAILS  
STONE STRONG SYSTEMS

DATE: 12/22/16 FILE: 38\_24 SF TailExt.RebarTied

**NOTE:**  
 USE REBAR-TIED TAIL EXTENSIONS  
 ON CONVEX CURVES OR TO ELIMINATE  
 CONCRETE IN VOID BETWEEN UNITS



## 24-86 REBAR-TIED CONCRETE TAIL EXTENSION (CAST-IN-PLACE)

NOT TO SCALE

**DISCLAIMER:**

These typical details are preliminary and conceptual in nature. They are provided for general information purposes only. Anyone making use of these details and related information does so at their own risk and assumes all liability for such use. Site specific design should be performed by a licensed Professional Engineer based on actual site conditions, materials, and local practices.

Stone Strong LLC retains all common law, statutory, and other reserved rights to these drawings including the copyright. Limited license is granted to copy, reproduce, or modify the details to prepare construction drawings for Stone Strong retaining walls. Stone Strong LLC makes no warranties, either expressed or implied, of merchantability or fitness for any particular purpose, and accepts no responsibility for the accuracy, suitability, or completeness of information contained herein.

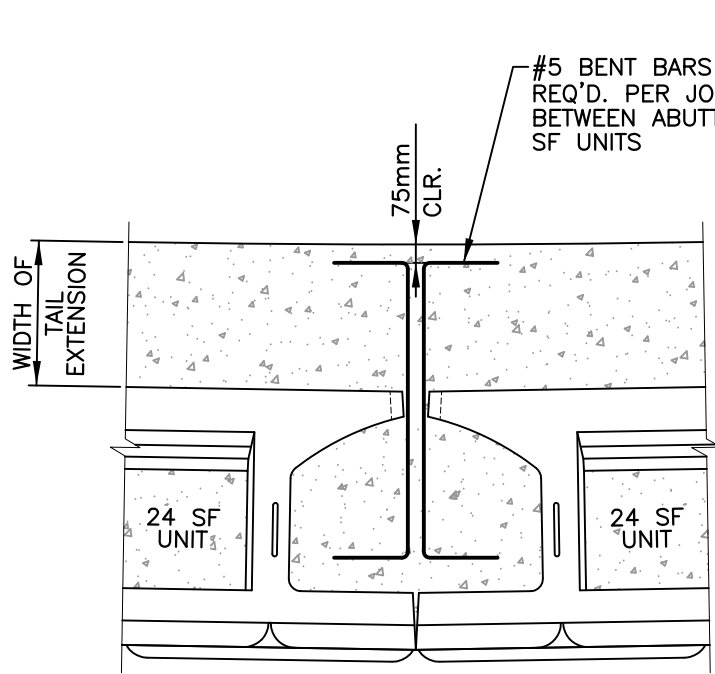


[www.stonestrong.com](http://www.stonestrong.com)

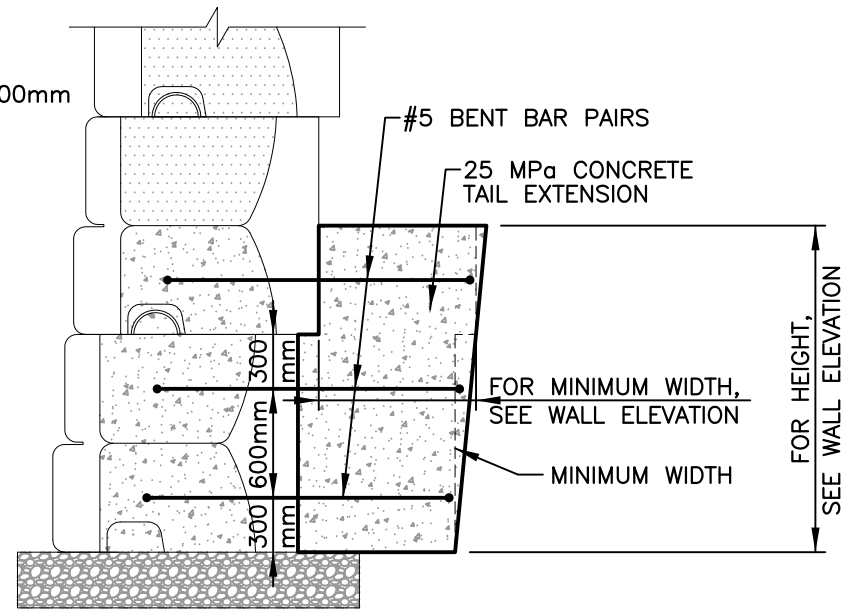
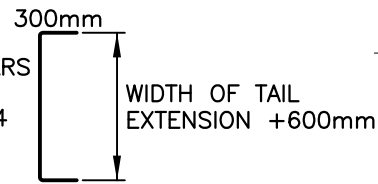
PROJECT

TYPICAL DETAILS  
 STONE STRONG SYSTEMS

DATE: 12/22/16 | FILE: 39\_24-86 TailExt.RebarTied



PLAN VIEW



SECTION

C.I.P. TAIL EXTENSION CONNECTION FOR 24 SF UNITS

NOT TO SCALE

**DISCLAIMER:**

These typical details are preliminary and conceptual in nature. They are provided for general information purposes only. Anyone making use of these details and related information does so at their own risk and assumes all liability for such use. Site specific design should be performed by a licensed Professional Engineer based on actual site conditions, materials, and local practices.

Stone Strong LLC retains all common law, statutory, and other reserved rights to these drawings including the copyright. Limited license is granted to copy, reproduce, or modify the details to prepare construction drawings for Stone Strong retaining walls. Stone Strong LLC makes no warranties, either expressed or implied, of merchantability or fitness for any particular purpose, and accepts no responsibility for the accuracy, suitability, or completeness of information contained herein.



www.stonestrong.com

PROJECT

TYPICAL DETAILS  
STONE STRONG SYSTEMS

DATE: 1/20/17 | FILE: 40\_24 SF TailExtConnect